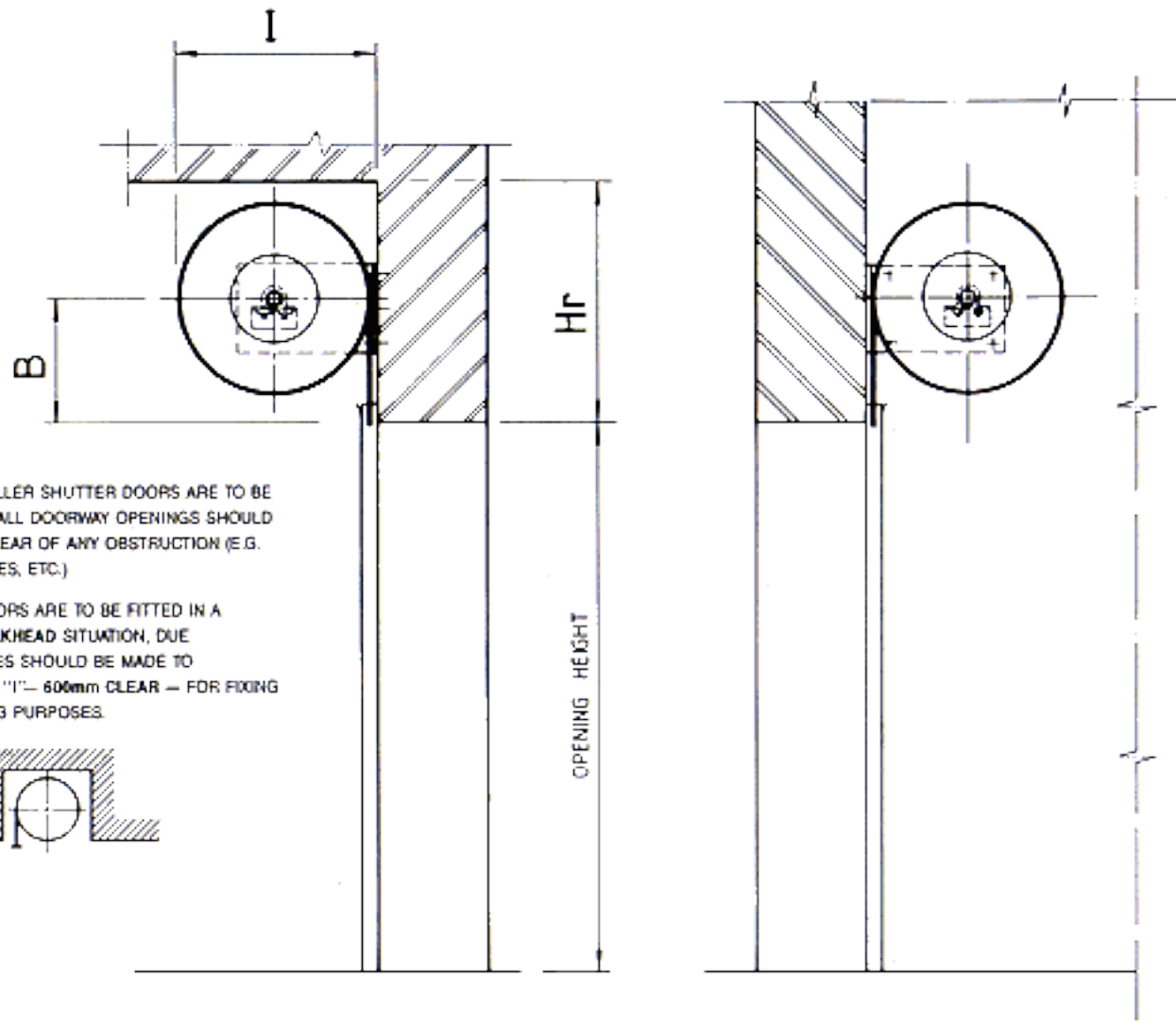


BEHIND WALL FIXING

BETWEEN WALL FIXING

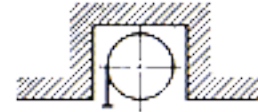


BEHIND WALL FIXING

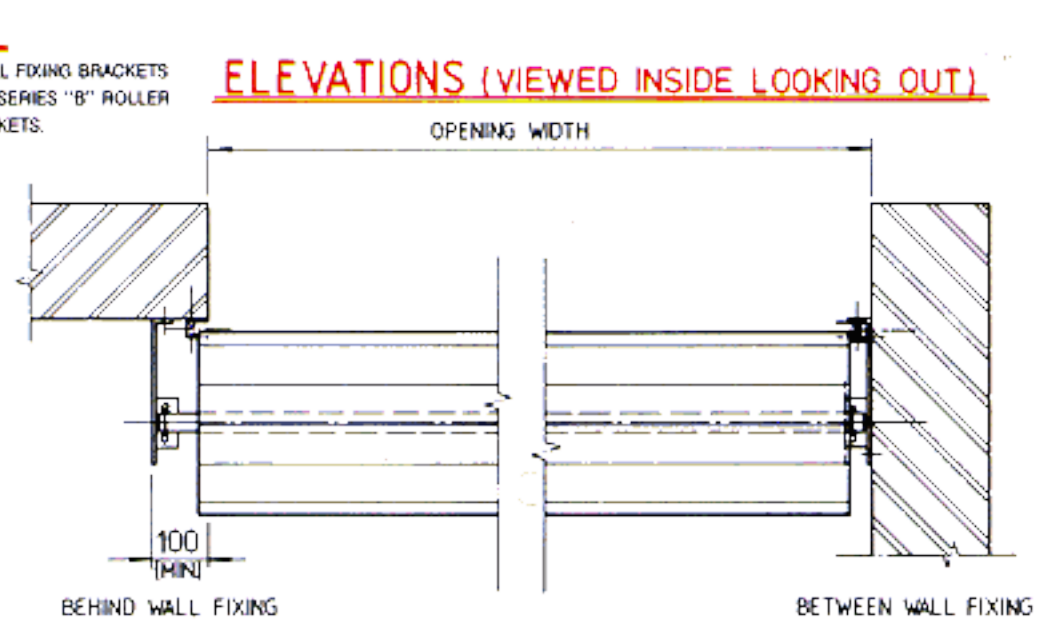
BETWEEN WALL FIXING

NOTE:

1. WHERE ROLLER SHUTTER DOORS ARE TO BE INSTALLED ALL DOORWAY OPENINGS SHOULD BE KEPT CLEAR OF ANY OBSTRUCTION (E.G. BEAMS, PIPES, ETC.)
2. WHERE DOORS ARE TO BE FITTED IN A CAVITY BULKHEAD SITUATION, DUE ALLOWANCES SHOULD BE MADE TO DIMENSION "I" - 600mm CLEAR - FOR FIXING AND LIFTING PURPOSES.



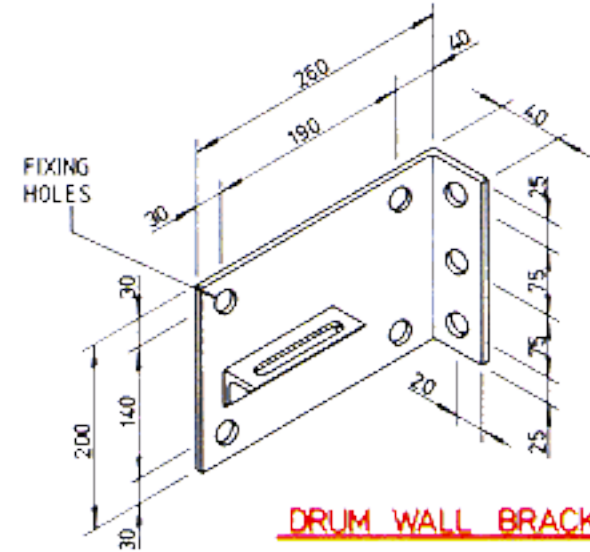
SECTIONS



BEHIND WALL FIXING

BETWEEN WALL FIXING

PLANS

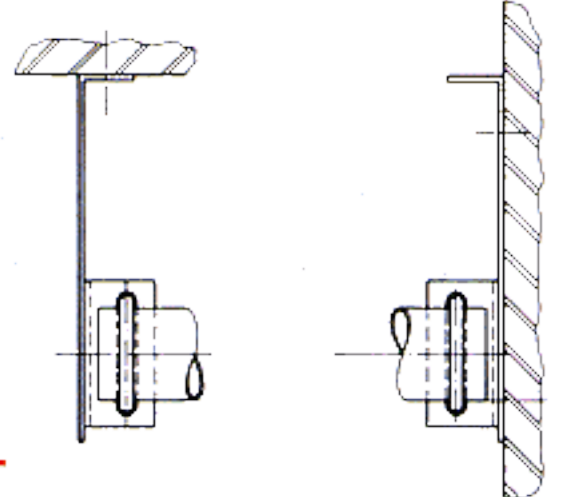


DRUM WALL BRACKET DETAIL

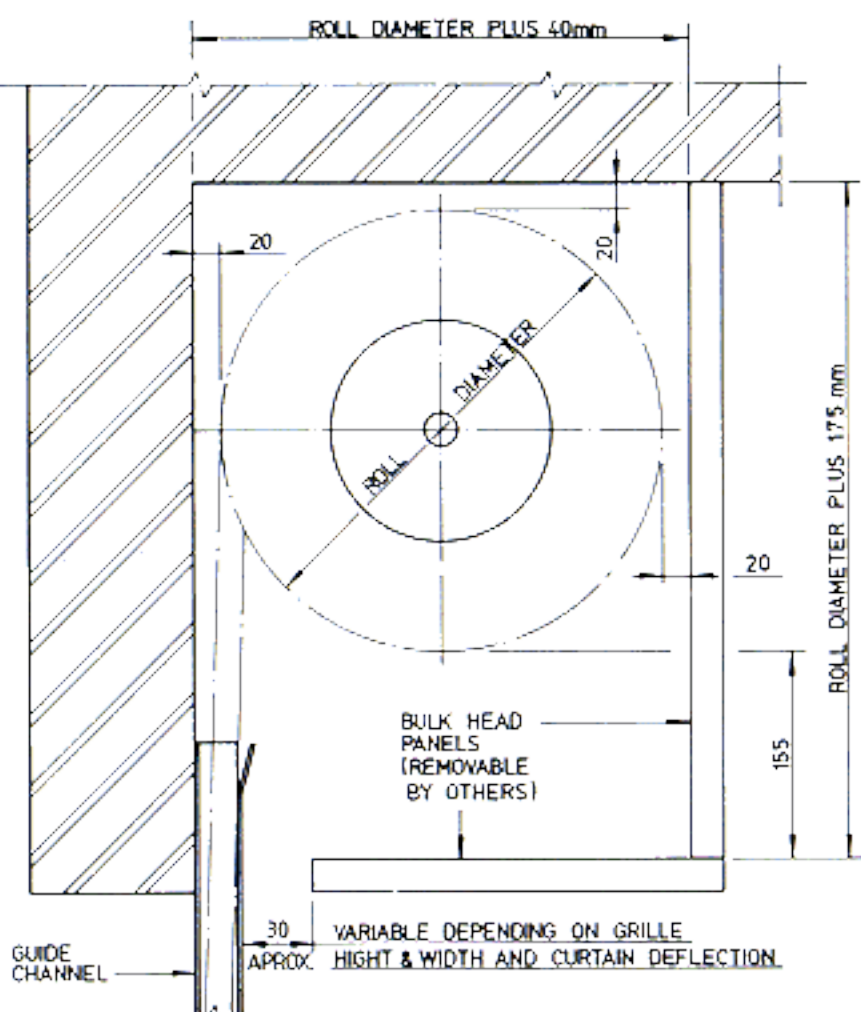
NOTE: - BRACKETS MAY BE FITTED TO BULKHEAD, WALL OR LOAD BEARING STRUCTURE.

BEHIND WALL FIXING

BETWEEN WALL FIXING



DETAILS



BULK HEAD AND BEHIND WALL OPERATION CLEARANCES

GRILLES: ECONOMY AND SECURITY

RECOMENDED HEADROOM CLEARANCE
(For best operation)

HEIGHT UP TO (m)	MARK(mm)		
	Hr	B	I
1.2	455	305	300
2.3	515	335	360
3.4	555	355	400
3.7	615	385	460

MINIMUM HEADROOM CLEARANCE

HEIGHT UP TO (m)	MARK(mm)		
	Hr	B	I
1.2	400	250	300
2.3	460	280	360
2.7	500	300	400

Hr - HEADROOM
B - CENTRE OF SHAFT
I - ROLL DIAMETER

NOTE: Not recomended over 9 sq m or 3 m in width

SHUTTERS: CLEARLITE - ALUMINIUM 63 AND 100

RECOMENDED HEADROOM CLEARANCE
(For best operation)

HEIGHT UP TO (m)	MARK(mm)		
	Hr	B	I
1.1	415	385	260
1.7	445	400	290
2.5	475	415	320
3.3	505	430	350

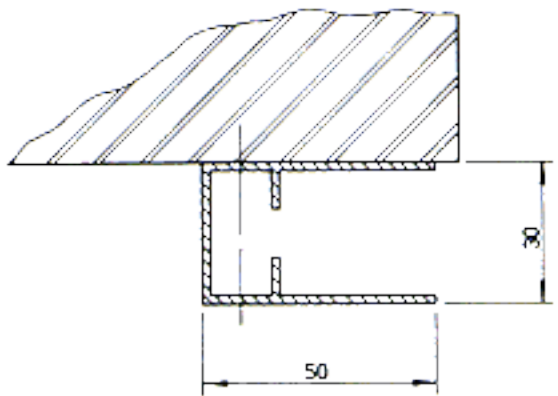
MINIMUM HEADROOM CLEARANCE

HEIGHT UP TO (m)	MARK(mm)		
	Hr	B	I
1.1	360	230	260
1.7	390	245	290
2.5	420	260	320

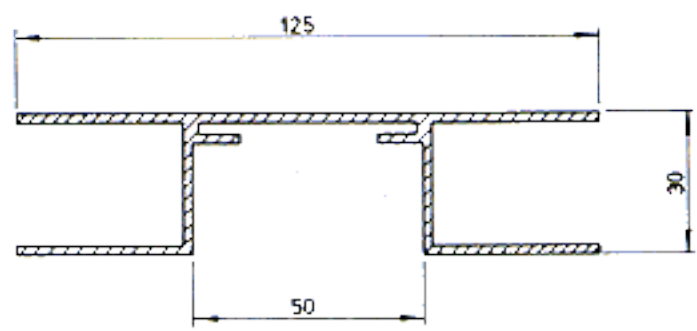
Hr - HEADROOM
B - CENTRE OF SHAFT
I - ROLL DIAMETER

NOTE: Clearlite shutter not recomended over 7.2 sq m or 2.8 m in width
Aluminium shutter not recomended over 9 sq m or 3 m in width.

STANDARD GUIDE CHANNELS

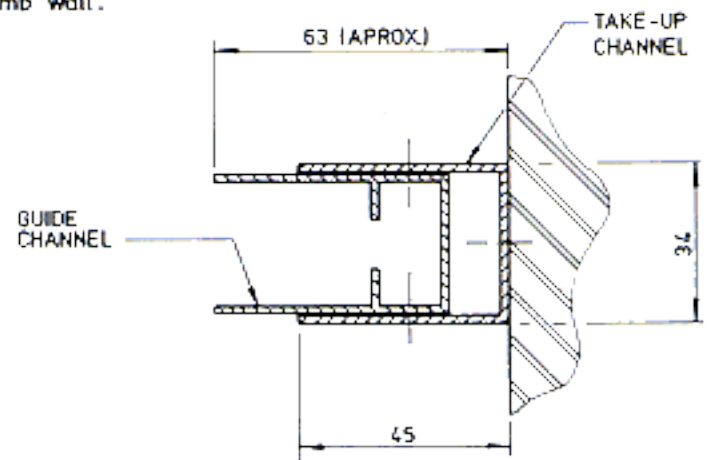


TYPICAL GUIDE CHANNEL (BEHIND WALL FIXING)

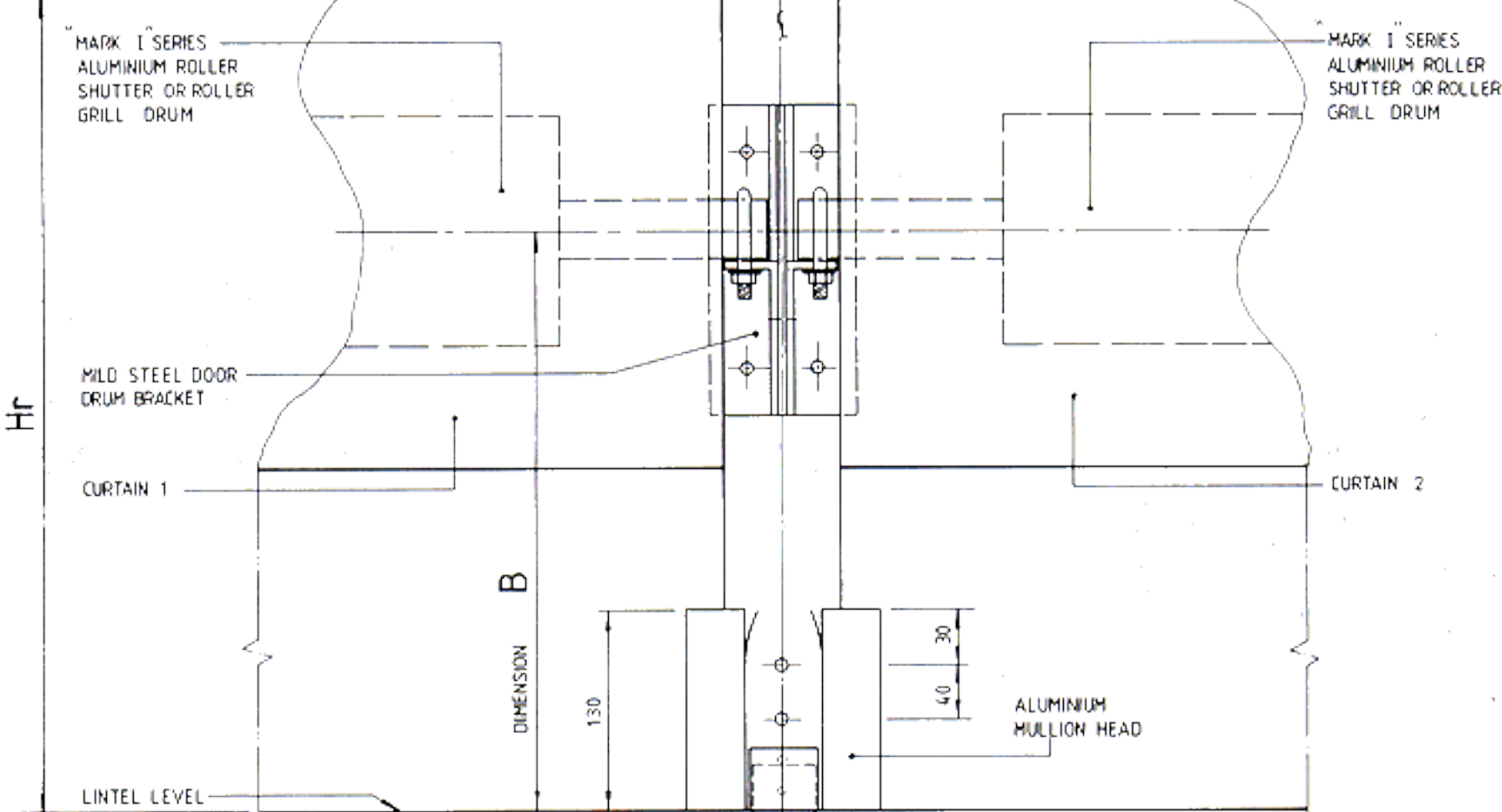


MULLIONS REFER TO OVERLEAF

NOTE: Take-up channels are used on uneven or not plumb wall.

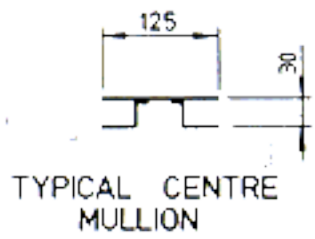
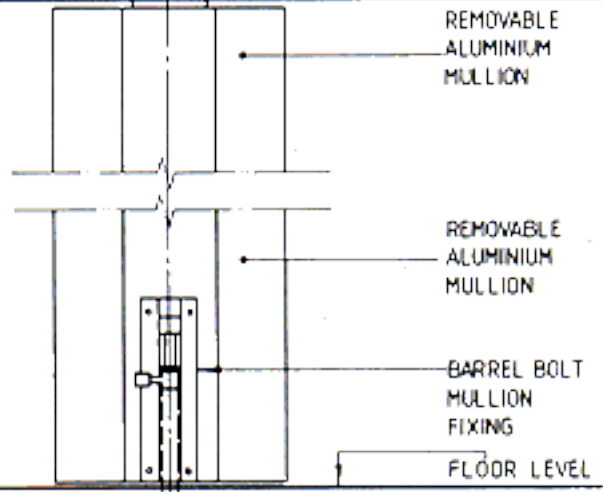


TYPICAL GUIDE CHANNEL (BETWEEN WALL FIXING)



**MULLION HEAD
DETAIL**

("MARK 1" SERIES ALUMINIUM ROLLER SHUTTERS & GRILLES.



**MULLION BASE
DETAIL**

("MARK 1" SERIES ALUMINIUM ROLLER SHUTTERS & GRILLES.

REMOVABLE CORNER MULLION DETAILS
("MARK 1" SERIES ALUMINIUM ROLLER SHUTTERS & GRILLES.

90° & 135° ANGLE CORNER MULLIONS

