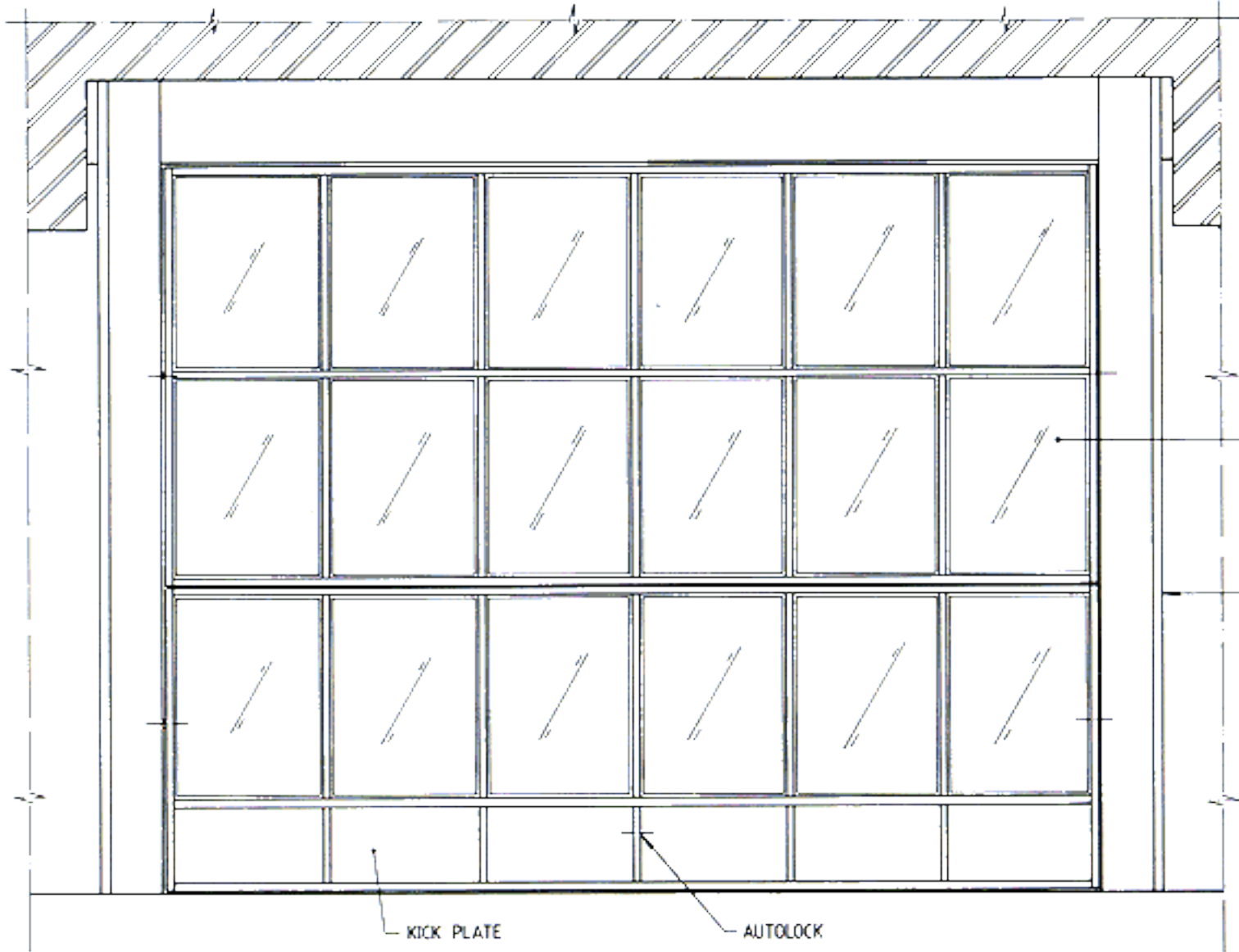
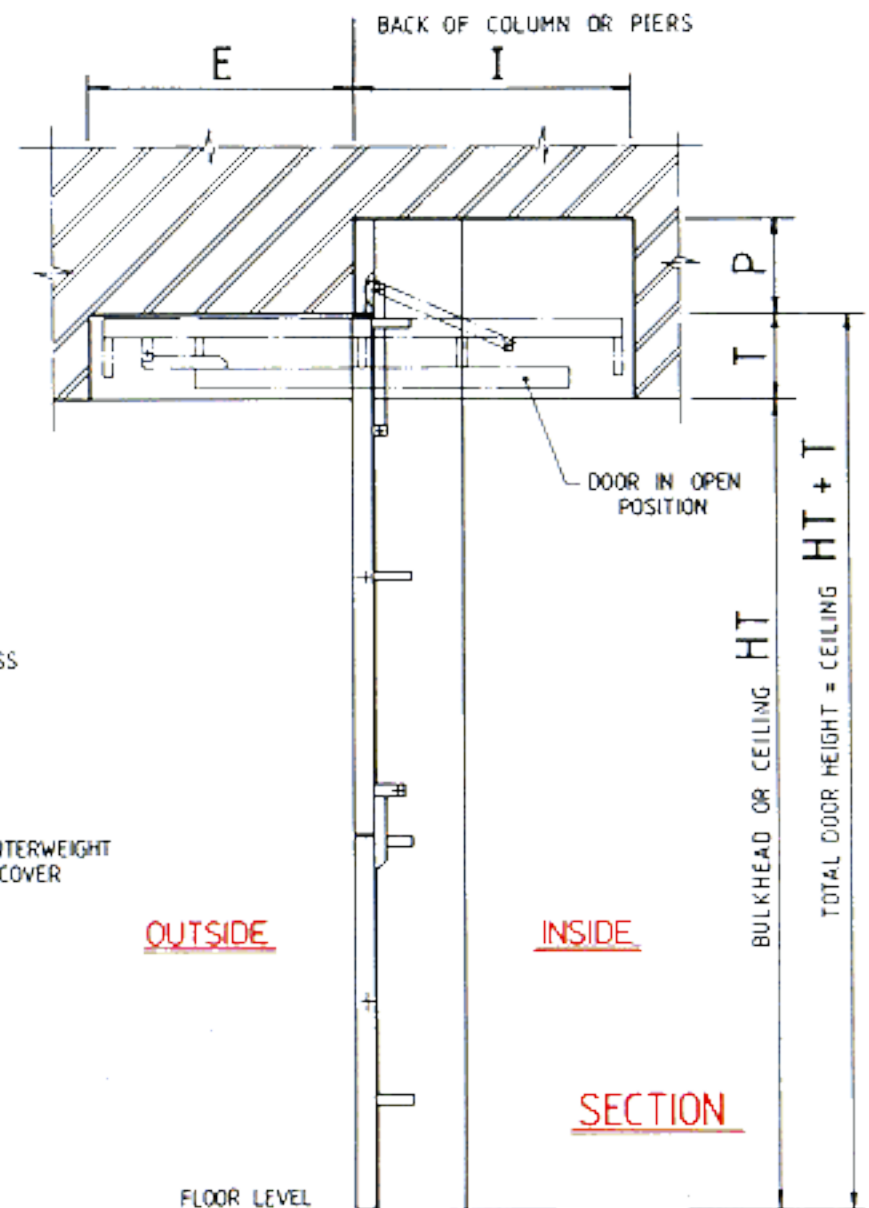


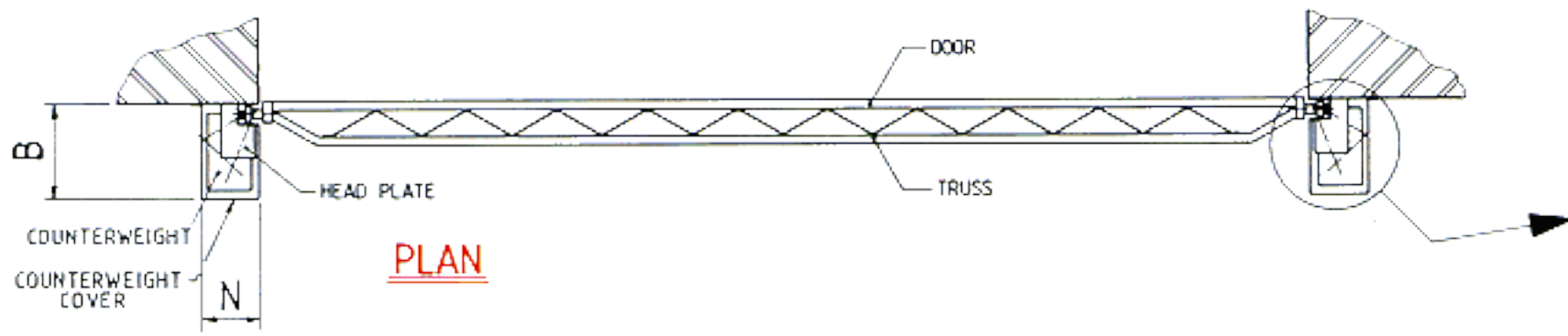
IN BULKHEAD INSTALLATION



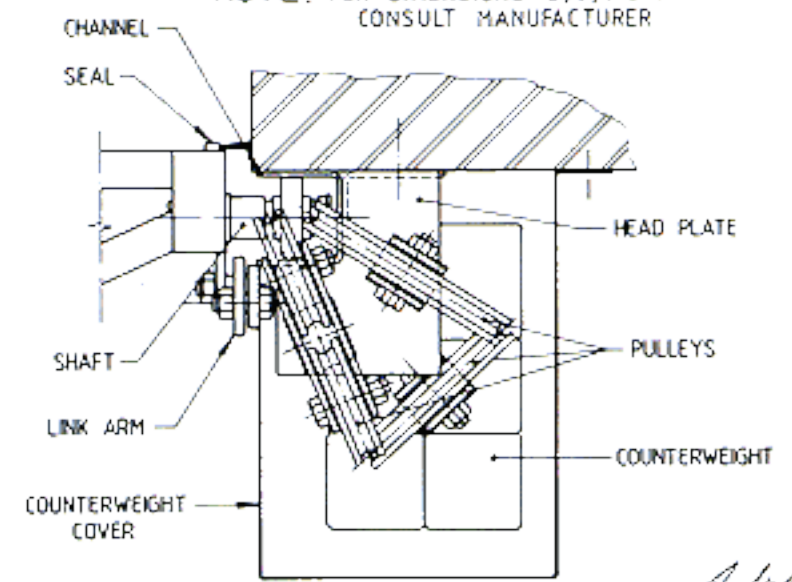
ELEVATION (INSIDE LOOKING OUT)



NOTE: FOR DIMENSIONS E, I, P & T CONSULT MANUFACTURER



PLAN



A. H. G.

Dimensions

Please Note:

Dimensions as shown are a general guide to installation requirements only, and can be varied to suit particular applications, do not hesitate to contact manufacturer for details.

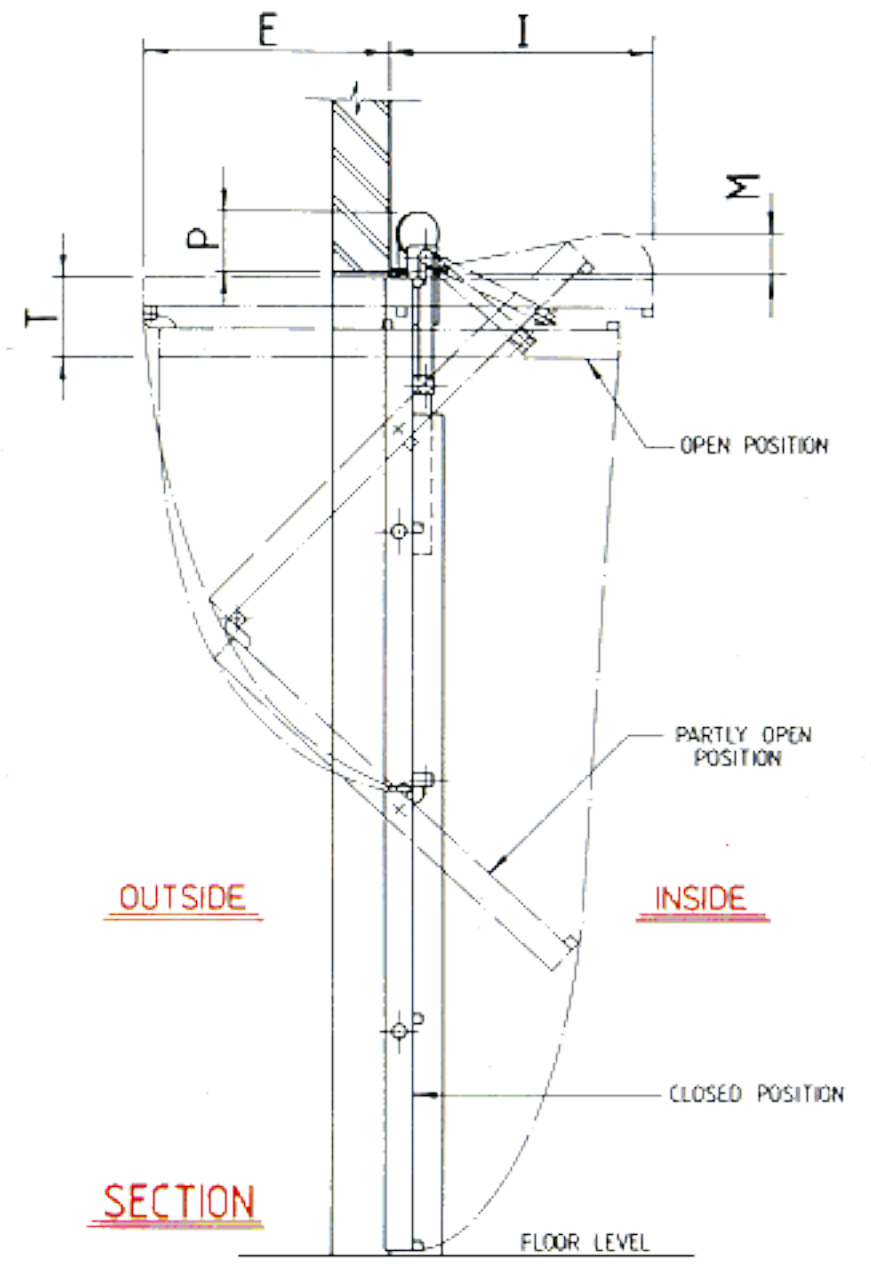
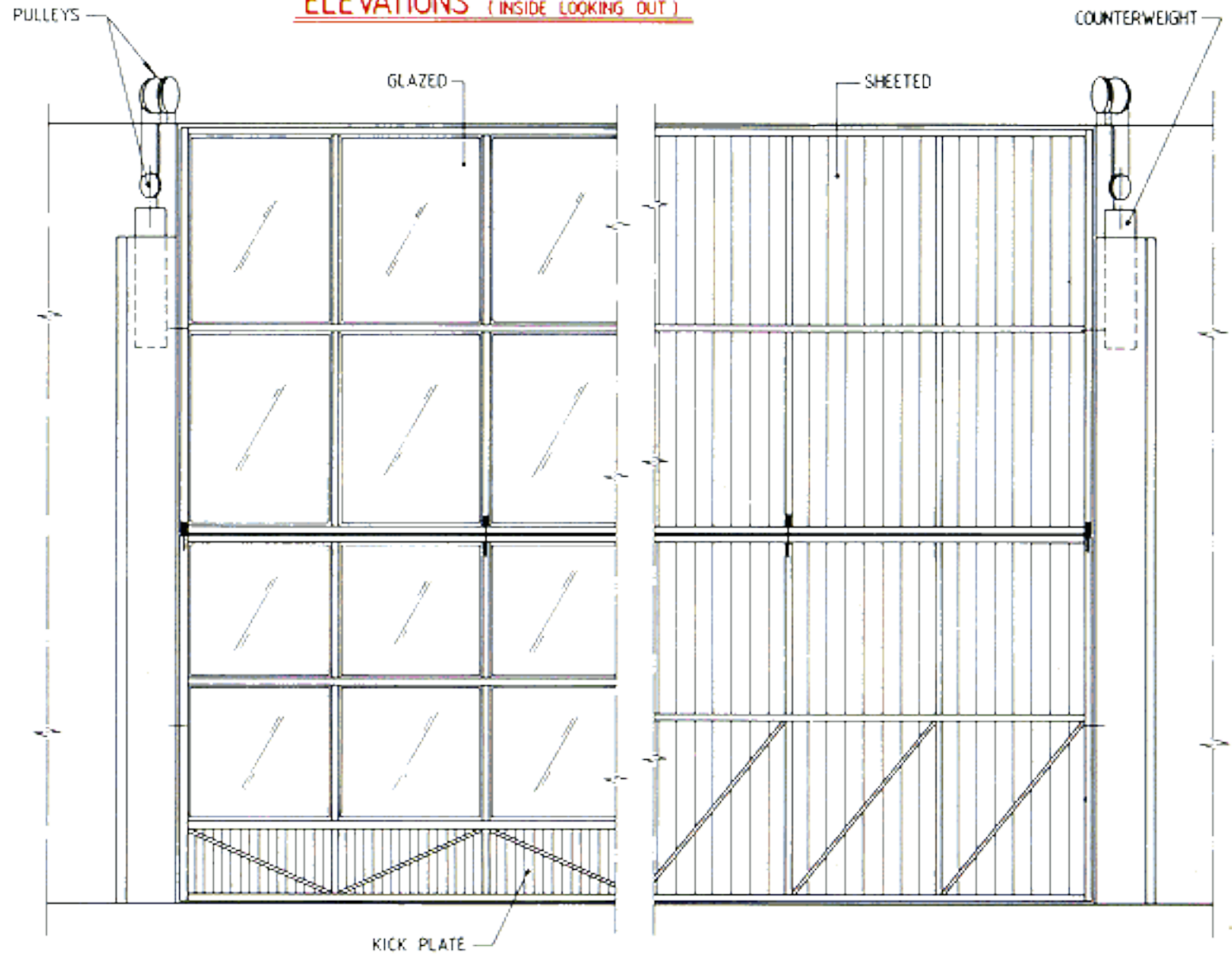
Door Design up to: 0.6 Kpa Wind Pressure

N	N = Nib Fixing Dimension S = "N" - in Millimetres Up to:	3	4	5	6	7	8	9	10	11	12	13	14	15	16	17	18	19	20	<i>Door Width in Metres</i>
	Steel: Glazed:	160	160	160	210	230	240	240	240	250	250	270	270	270	310	310	350	350	350	
T	T = Thickness of Door below Lintel T: in millimetres Up to:	3	4	5	6	7	8	9	10	11	12	13	14	15	16	17	18	19	20	<i>Door width in metres</i>
	Steel: Glazed:	285	285	315	335	355	400	400	440	480	480	530	530	580	580	630	630	680	680	
	<i>* Figures above allow for thickness of door frame and sheeting of 25mm rib depth, deeper profile sheeting will increase door thickness.</i>																			
	P	P = Pulley headroom above lintel. Up to:	3	4	5	6	7	8	9	10	11	12	13	14	15	16	17	18	19	20
Steel: Glazed:	180	180	180	180	180	220	220	220	220	220	220	220	220	300	300	300	300	300		
M	M = Swing of door above lintel Up to:	3.0	3.25	3.5	3.75	4.0	4.25	4.5	4.75	5.0	5.25	5.5	5.75	<i>Door height in Metres "M" in millimetres.</i>						
		130	140	150	160	170	180	190	200	210	220	230	240							
	B	B = Depth of counterweights Up to:	3	4	5	6	7	8	9	10	11	12	13	14	15	16	17	18	19	20
Steel: Glazed:	250	290	290	260	270	270	270	270	330	330	330	330	330	340	340	360	360	360		
E	E = External Projection-approx. 1/4 of door height Up to internal projection-2	3	4	5	5.5	<i>Door Height in Metres</i>														
	(mm) "E" =	250	500	800	1050	1300	1400													
I	(mm) "I" =	350	600	900	1150	1400	1500													

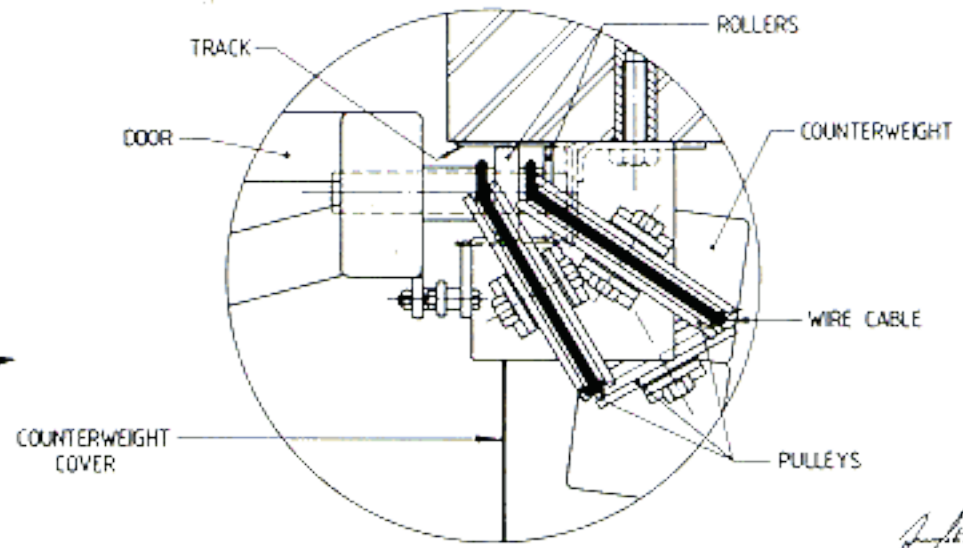
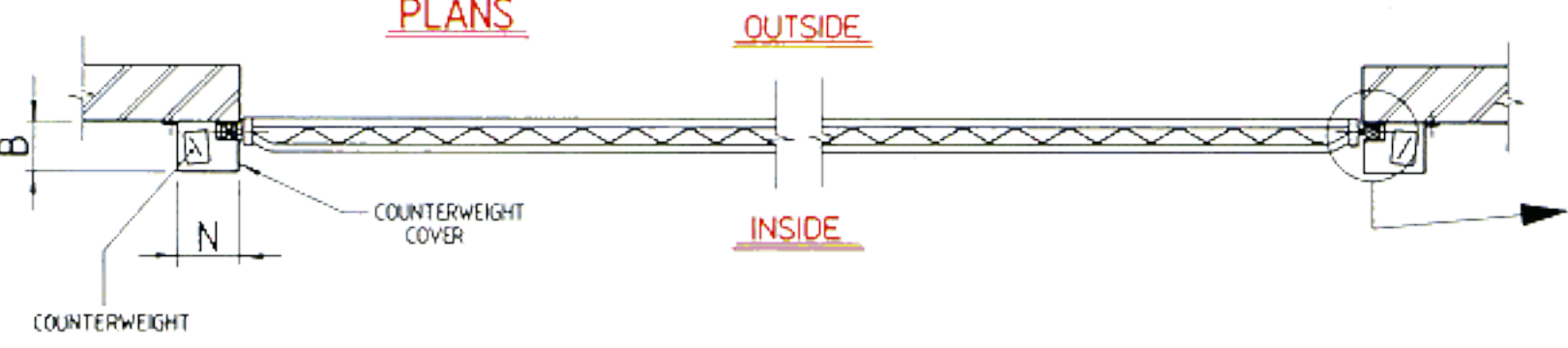
**Note: For glazed doors, the panels of each leaf may vary to suit a particular shape of layout of glass — for exact measurements contact the manufacturer.*

**Note: For doors over 15 metres please do not hesitate to contact manufacturer for all details.*

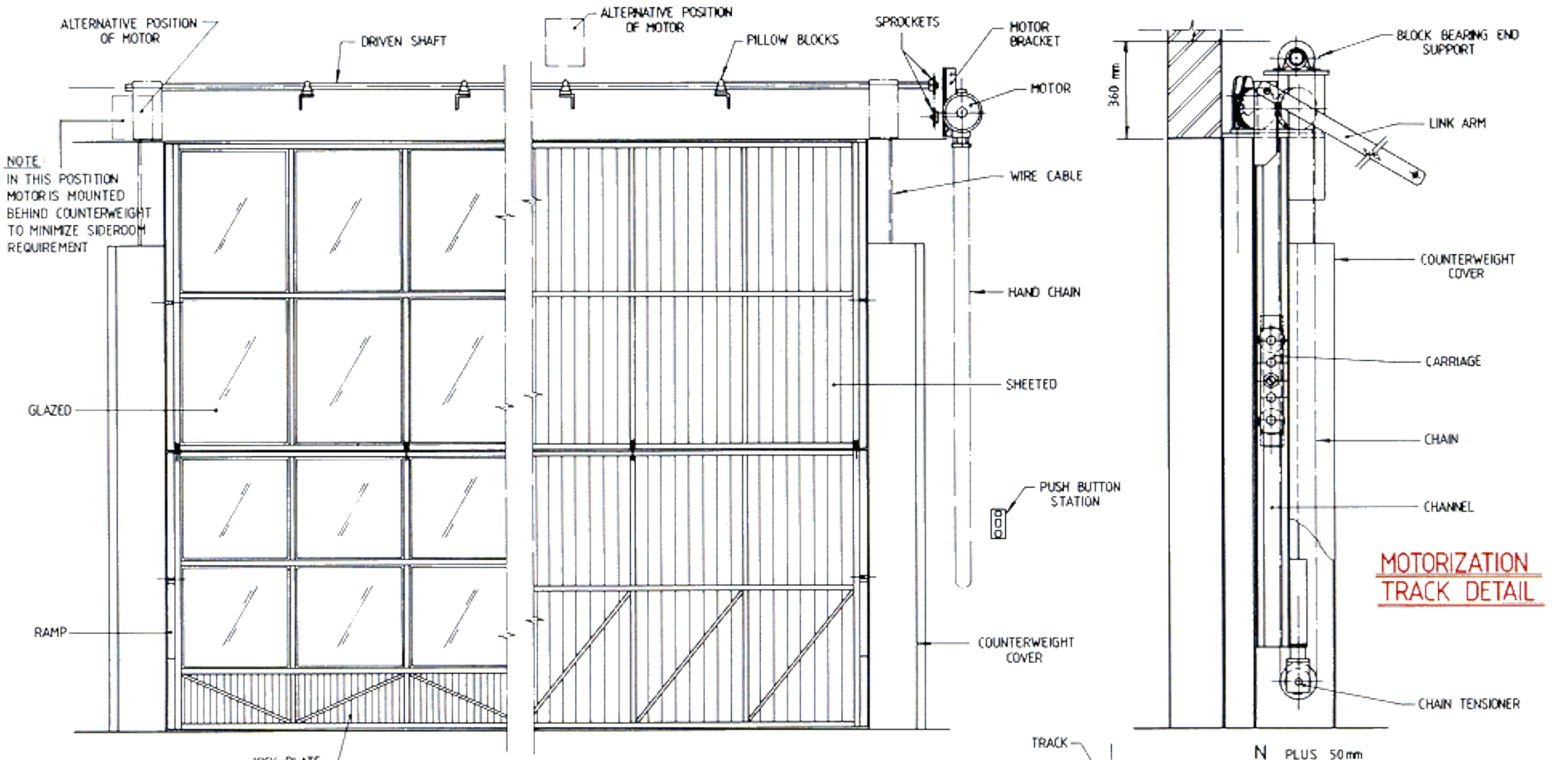
ELEVATIONS (INSIDE LOOKING OUT)



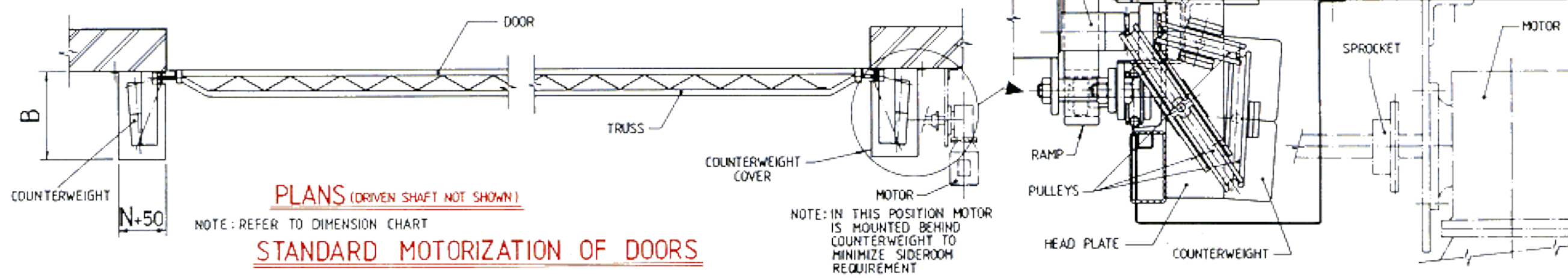
PLANS



Handwritten signature



ELEVATIONS (INSIDE LOOKING OUT)



MULTIPLE INSTALLATION

NOTE:
CENTRE COLUMN WIDTH - $2 \times N$

