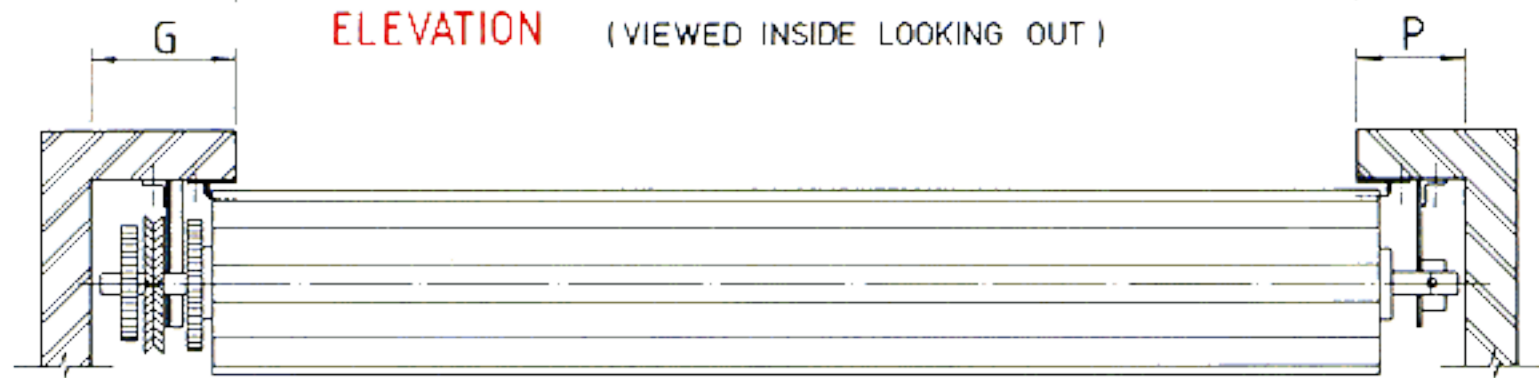
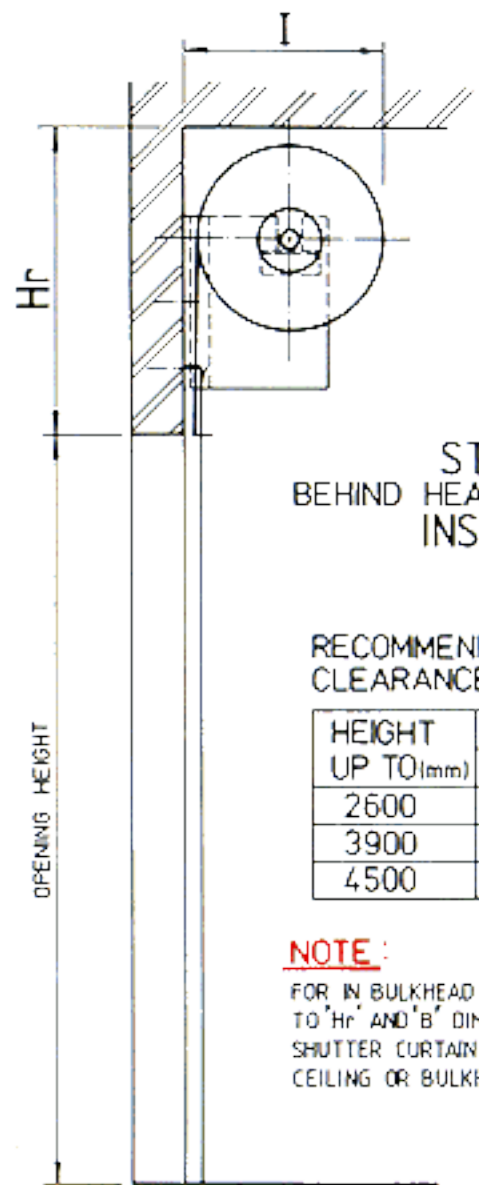


ELEVATION (VIEWED INSIDE LOOKING OUT)



PLAN



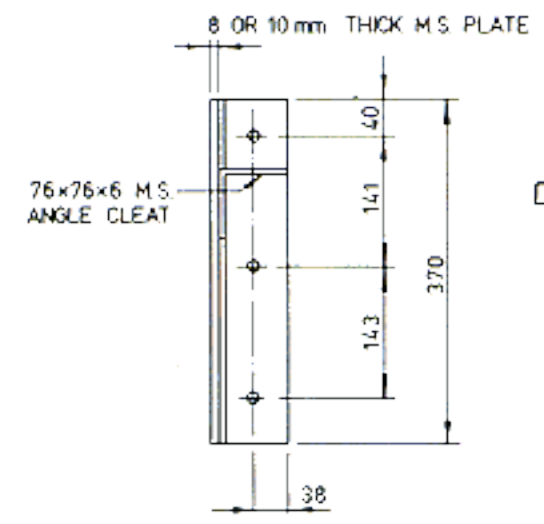
SECTION

STANDARD
BEHIND HEAD - UNDER CEILING
INSTALLATION

RECOMMENDED HEADROOM
CLEARANCES

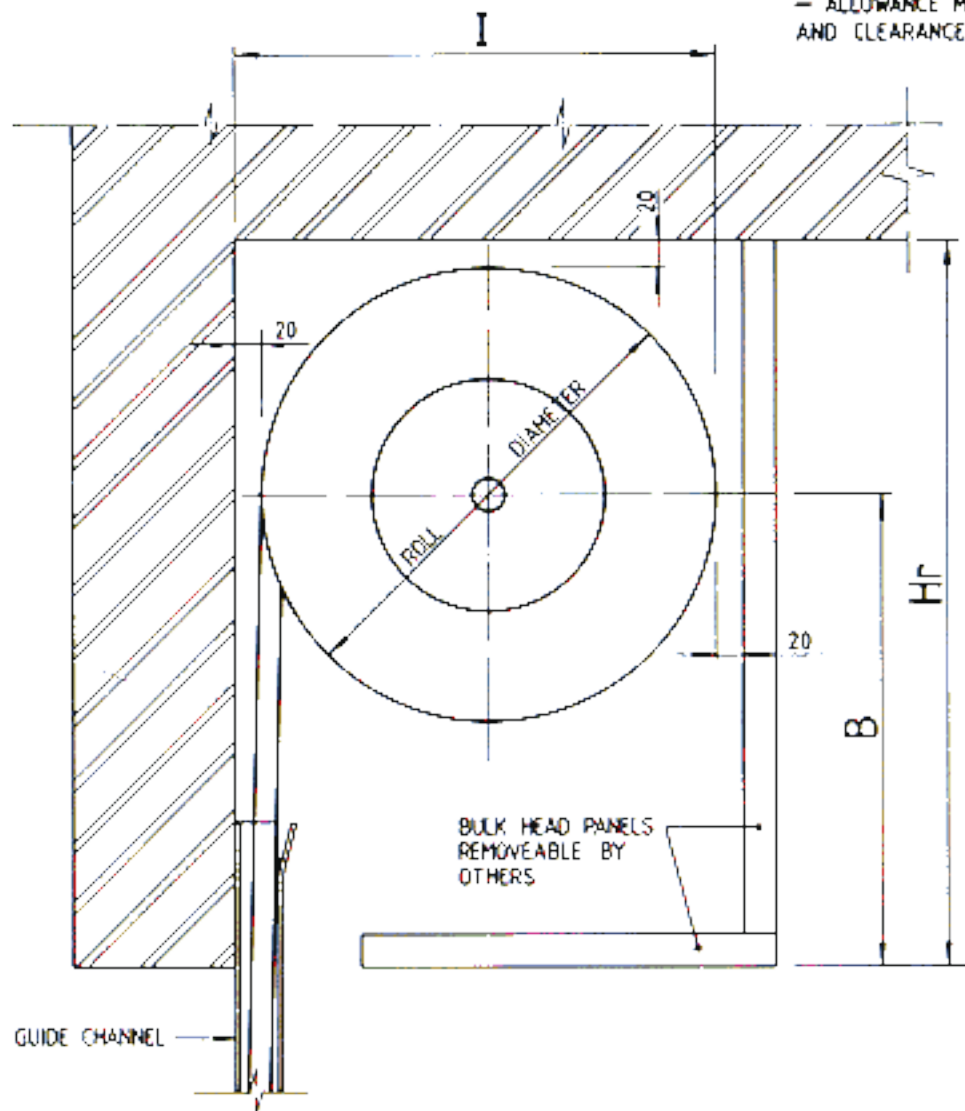
HEIGHT UP TO (mm)	MARK (mm)		
	Hr	B	I
2600	600	380	430
3900	640	400	480
4500	665	400	530

NOTE:
FOR IN BULKHEAD INSTALLATION ADD 230 mm
TO 'Hr' AND 'B' DIMENSIONS TO MINIMISE
SHUTTER CURTAIN DEFLECTION THROUGH
CEILING OR BULKHEAD.



DRUM WALL BRACKET
- TYPE 1 -
(51x51x5 M.S. ANGLE)

- ALLOWANCE MUST BE MADE FOR INSTALLATION AND CLEARANCE ALLOWED FOR IF MOTORIZED.



RECOMMENDED SIDEROOM CLEARANCES:

OPERATION	MARK (mm)			
	DRIVEN END	PLAIN END		
	G	L	P	R
CHAIN DRIVEN	265	190	250	170
MOTORIZED	500	190	250	170

- FOR FURTHER DETAILS ON MOTORIZATION AND COMMON CENTRE COLUMN FIXING SEE OVERLEAF.

NOTE:

1. CHAIN OPERATION MAY BE FITTED ON EITHER LEFT OR RIGHT HAND SIDE OF THE DOORWAY OPENING.
2. MOTORIZED ROLLER SHUTTERS CAN BE INSTALLED WITH MOTOR FITTED TO THE OPPOSITE SIDE OF MOTOR SUPPORT BRACKET. THEREFORE SIDEROOM CAN BE REDUCED TO 250mm. THUS LEAVING THE MOTOR AND HAND CHAIN TOWARD THE DOORWAY OPENING.
3. WEIGHT APPROXIMATELY = 24 Kg/m²

IN A BULK HEAD INSTALLATION

RECOMMENDED HEADROOM CLEARANCES:

HEIGHT UP TO (mm)	MARK (mm)		
	Hr	B	I
2660	840	620	430
3900	875	630	480
4500	940	630	530

STANDARD BEHIND HEAD-UNDER CEILING INSTALLATION

RECOMMENDED HEADROOM CLEARANCES:

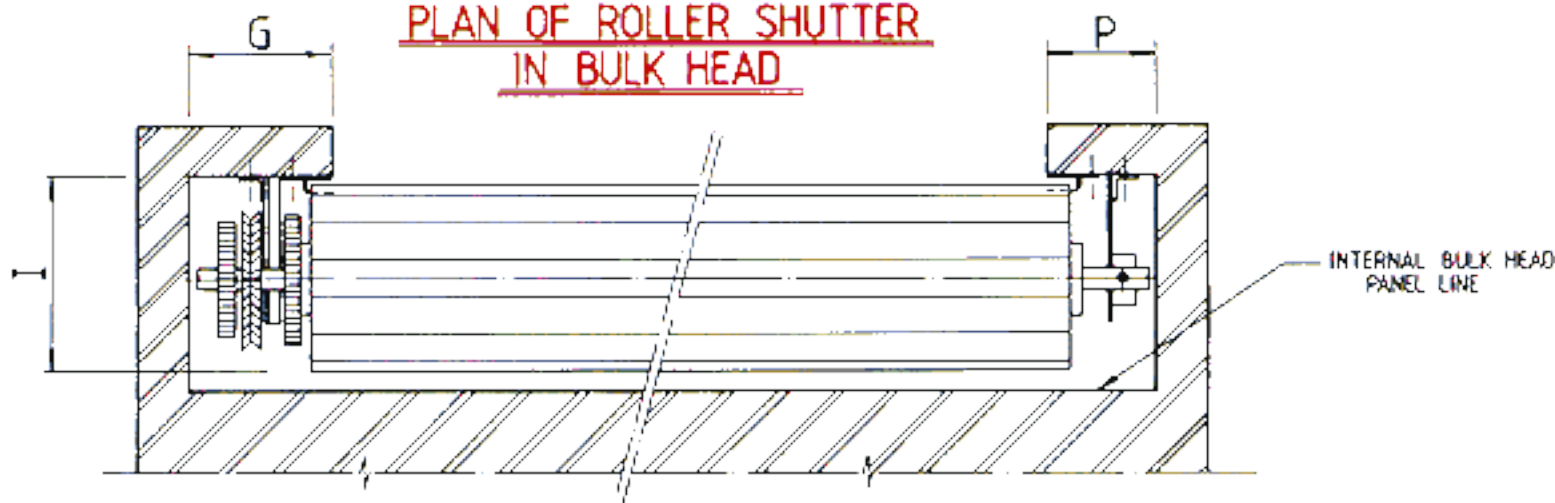
HEIGHT UP TO (mm)	MARK (mm)		
	Hr	B	I
2600	600	380	430
3900	640	400	480
4500	665	400	530

NOTE:

- "I" DIMENSION DOES NOT INCLUDE CLEARANCES OR MOTOR DIMENSION. SEE OVERLEAF FOR CLEARANCES.

- Hr - HEADROOM
- B - CENTRE LINE OF SHAFT
- I - ROLL DIAMETER

PLAN OF ROLLER SHUTTER IN BULK HEAD

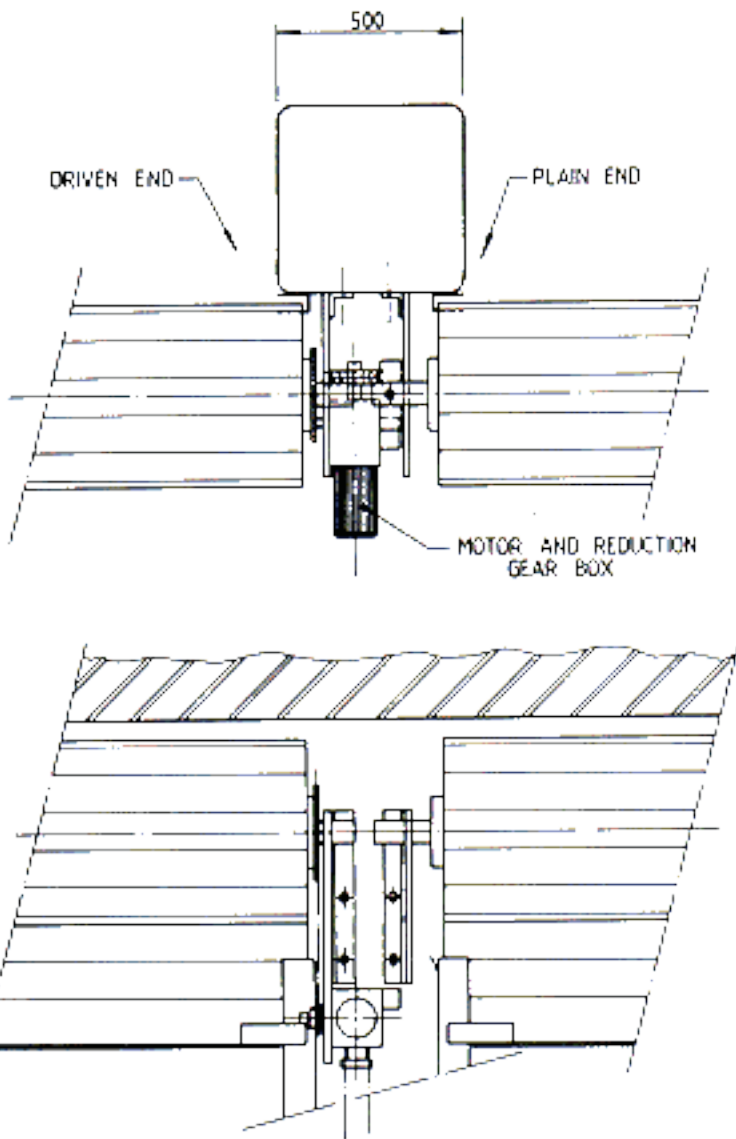


NOTE:

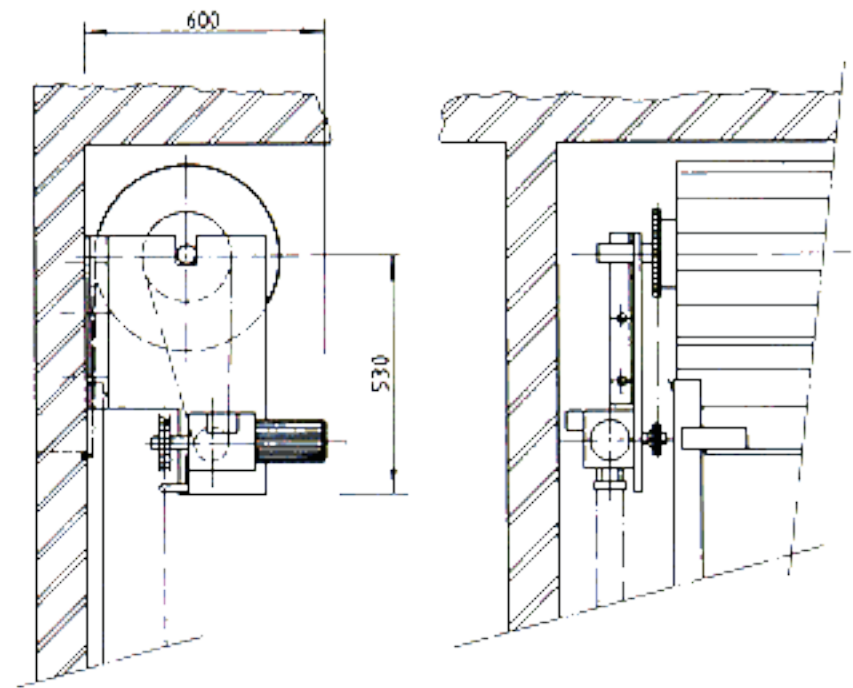
1. WHERE ROLLER SHUTTER DOORS ARE TO BE INSTALLED, ALL DOORWAY OPENINGS SHOULD BE KEPT CLEAR OF ANY OBSTRUCTION (E.G. BEAMS, PIPES, ETC.)
2. WHERE DOORS ARE TO BE FITTED IN A CAVITY BULKHEAD SITUATION, DUE ALLOWANCES SHOULD BE MADE TO DIMENSION "I" - 600mm CLEAR - FOR FIXING AND LIFTING PURPOSES



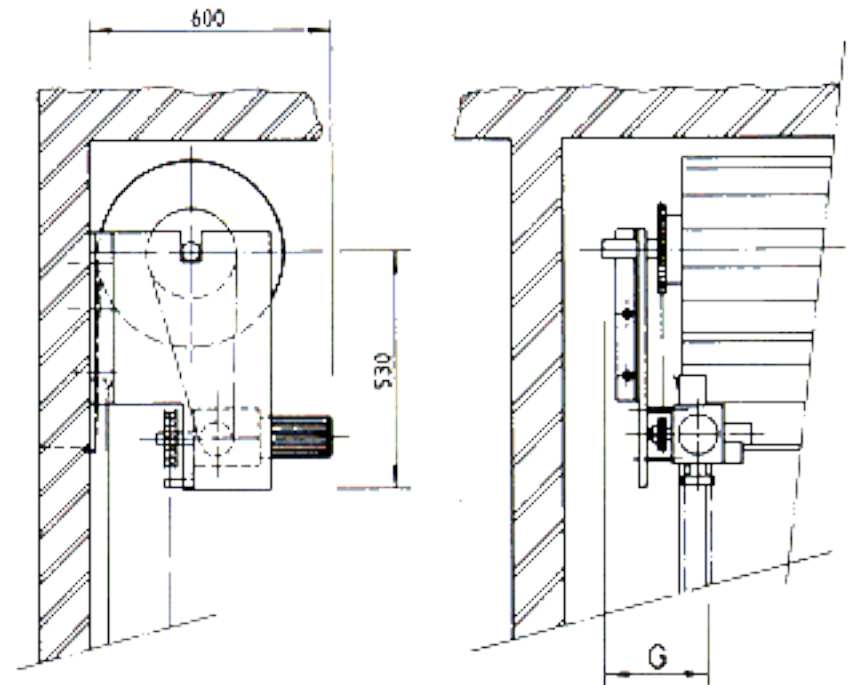
COMMON CENTRE COLUMN
DETAIL



STANDARD MOTOR INSTALLATION



MOTOR ON INSIDE OF DRUM SUPPORT
BRACKET



INSULATED PANORAMA SUPA SLAT 105

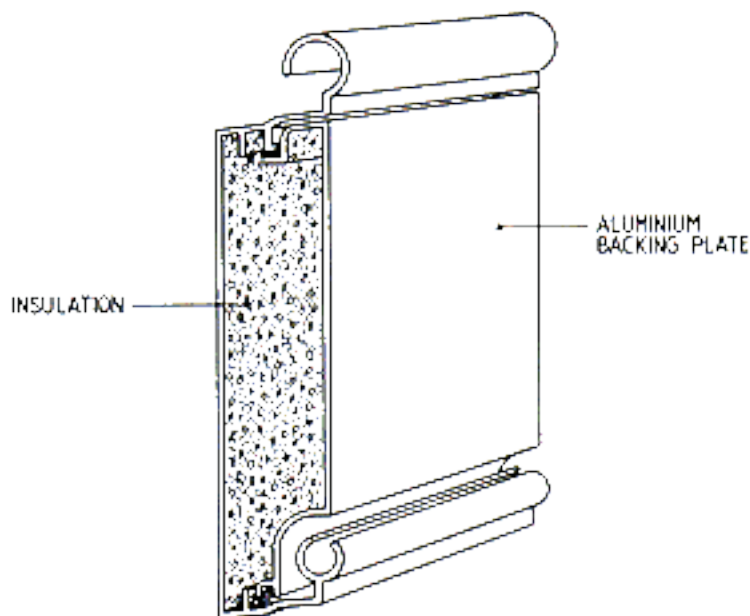
NOTE:

- THIS IS A SPECIAL DESIGN AND THE MANUFACTURER SHOULD BE CONTACTED.

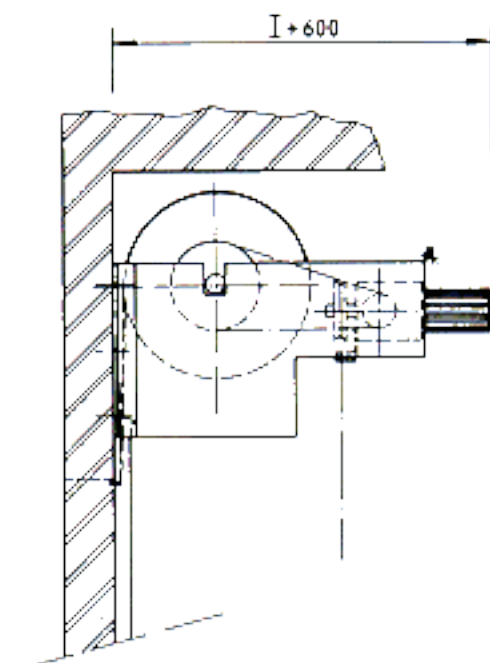
THE SLAT MAY BE FITTED WITH A SPECIALLY DESIGNED ALUMINIUM BACKING PLATE TO PROVIDE A HOLLOW SECTION. THIS SECTION CAN BE FILLED WITH AN INSULATING FOAM TO AVOID HEAT TRANSFER.

PANORAMA SUPA SLAT 105

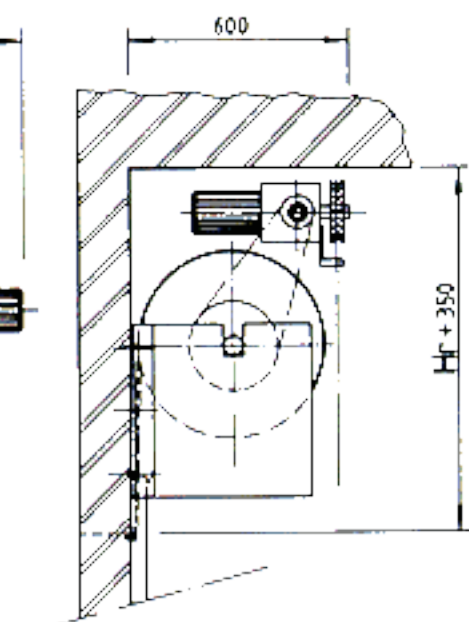
(FULLY INSULATED)



MOTOR BEHIND THE
DRUM



MOTOR ABOVE THE
DRUM



Handwritten signature