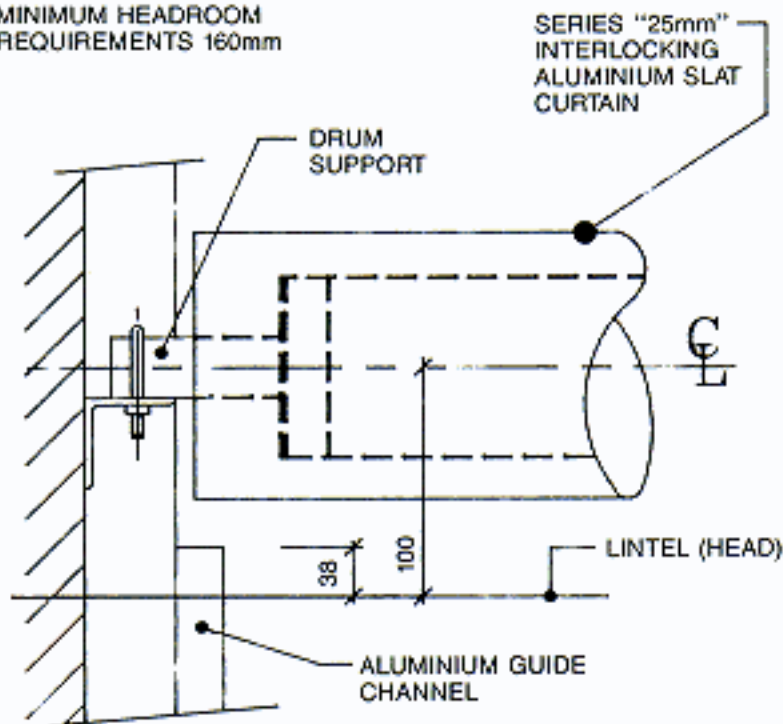


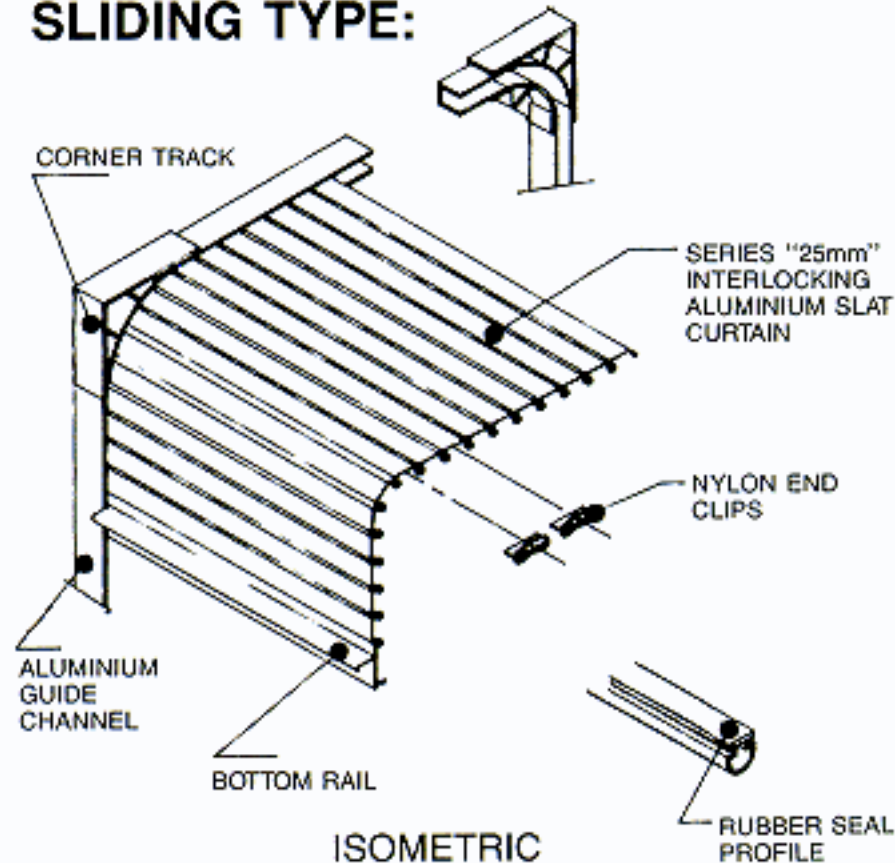
ROLLER TYPE:

**MINIMUM HEADROOM REQUIREMENTS 160mm

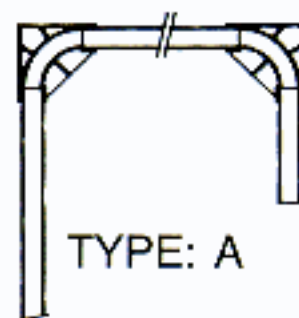
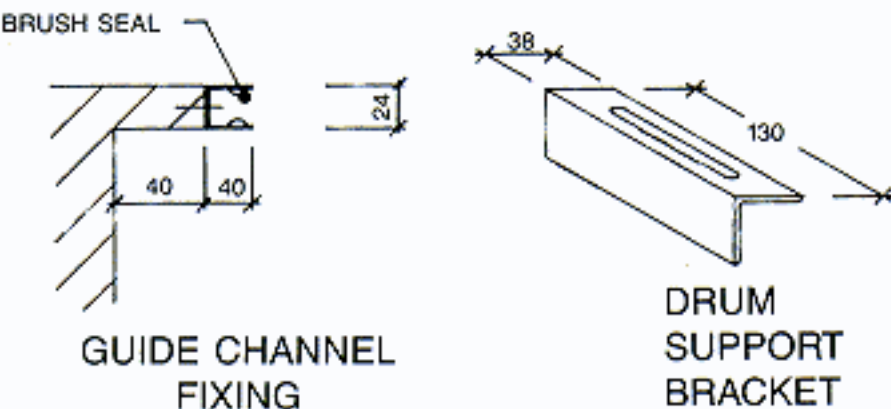


PART ELEVATION

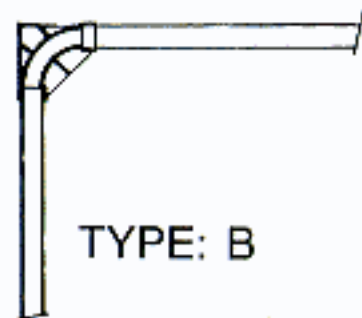
SLIDING TYPE:



ISOMETRIC



TYPE: A



TYPE: B

SLIDING TRACK TYPES