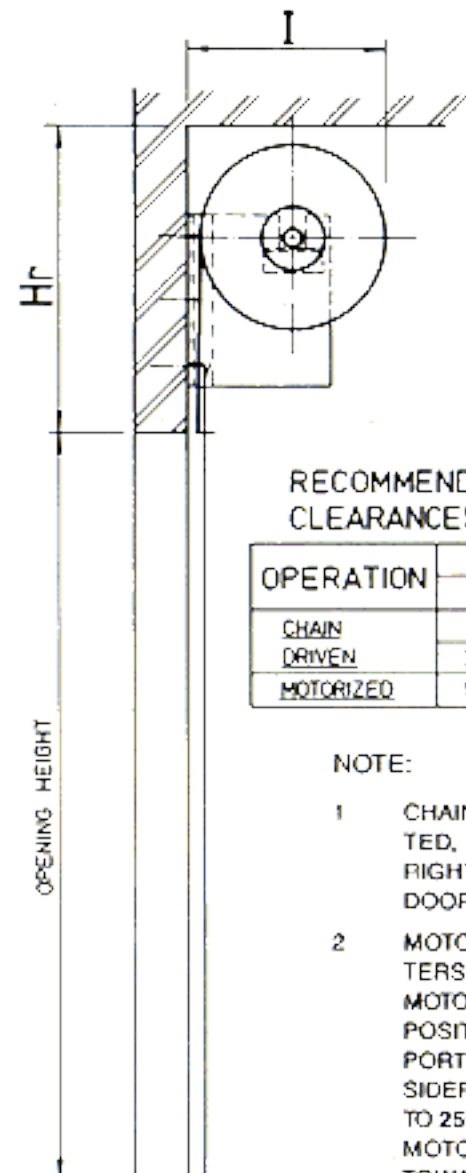


ELEVATION (VIEWED INSIDE LOOKING OUT)



SECTION

RECOMMENDED SIDEROOM CLEARANCES:

OPERATION	MARK (mm)			
	DRIVEN END	PLAIN END		
	G	L	P	R
CHAIN DRIVEN	265	190	250	170
MOTORIZED	500	190	250	170

NOTE:

- CHAIN OPERATION MAY BE FITTED, ON EITHER LEFT OR RIGHT HAND SIDE OF THE DOORWAY OPENING.
- MOTORIZED ROLLER SHUTTERS CAN BE INSTALLED WITH MOTOR FITTED TO THE OPPOSITE SIDE OF MOTOR SUPPORT BRACKET, THEREFORE SIDEROOM CAN BE REDUCED TO 250mm, THUS LEAVING THE MOTOR AND HAND CHAIN TOWARD THE DOORWAY OPENING.
- WEIGHT APPROXIMATELY - 40kg/M²

NOTE:

- WHERE ROLLER SHUTTER DOORS ARE TO BE INSTALLED, ALL DOORWAY OPENINGS SHOULD BE KEPT CLEAR OF ANY OBSTRUCTION (E.G. BEAMS, PIPES, ETC...)
- WHERE DOORS ARE TO BE FITTED IN A CAVITY BULKHEAD SITUATION, DUE ALLOWANCES SHOULD BE MADE TO DIMENSION "I": 600mm CLEAR - FOR FIXING AND LIFTING PURPOSES.

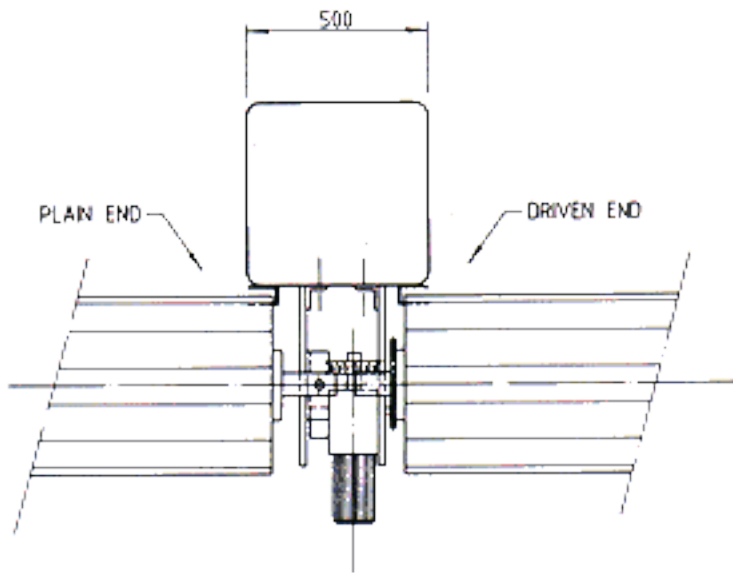
HEIGHT UP TO (mm)	MARK (mm)		
	Hr	B	I
2400	530	325	410
3700	570	360	420
4300	600	385	430
5000	620	410	440
6000	660	425	465
6500	690	450	475

PLAN

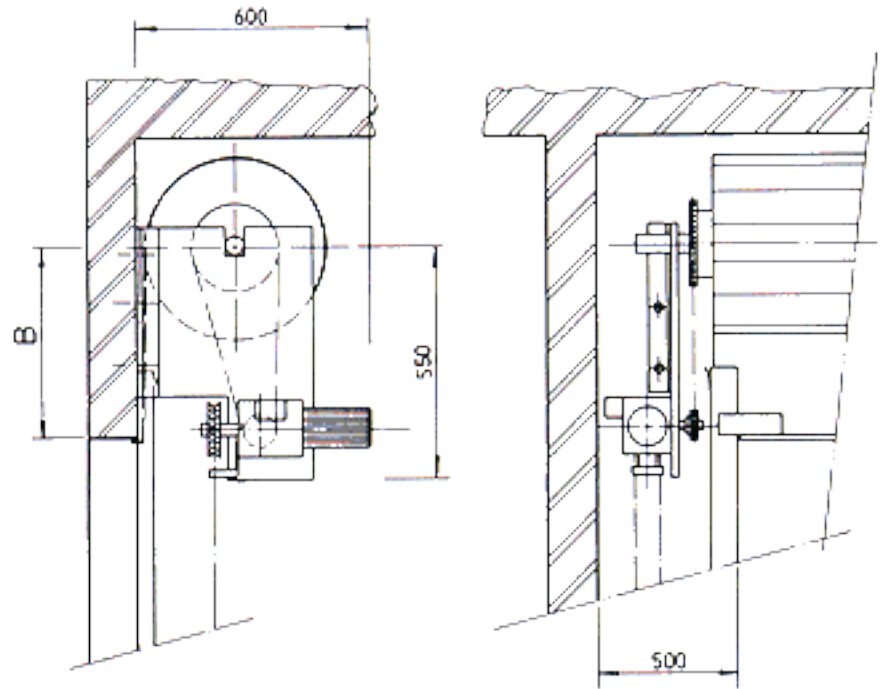


Handwritten signature

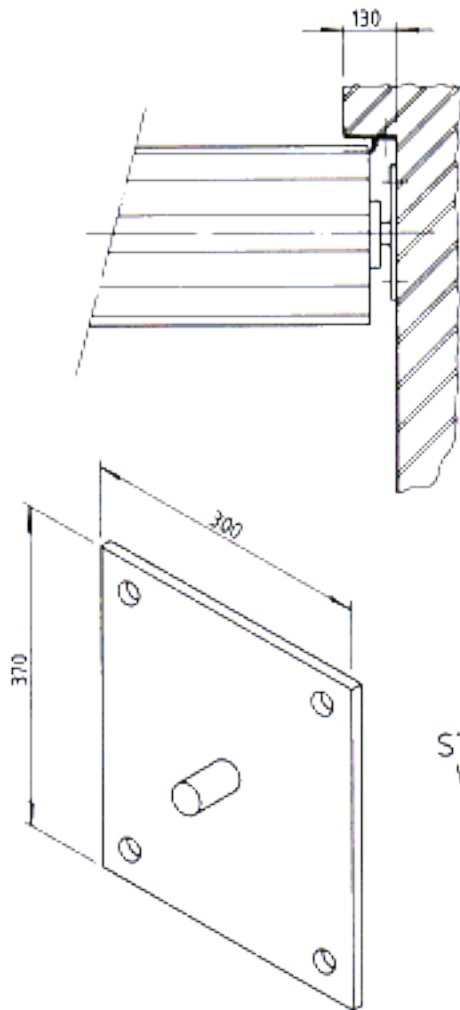
COMMON CENTRE COLUMN
FIXING



STANDARD MOTOR INSTALLATION

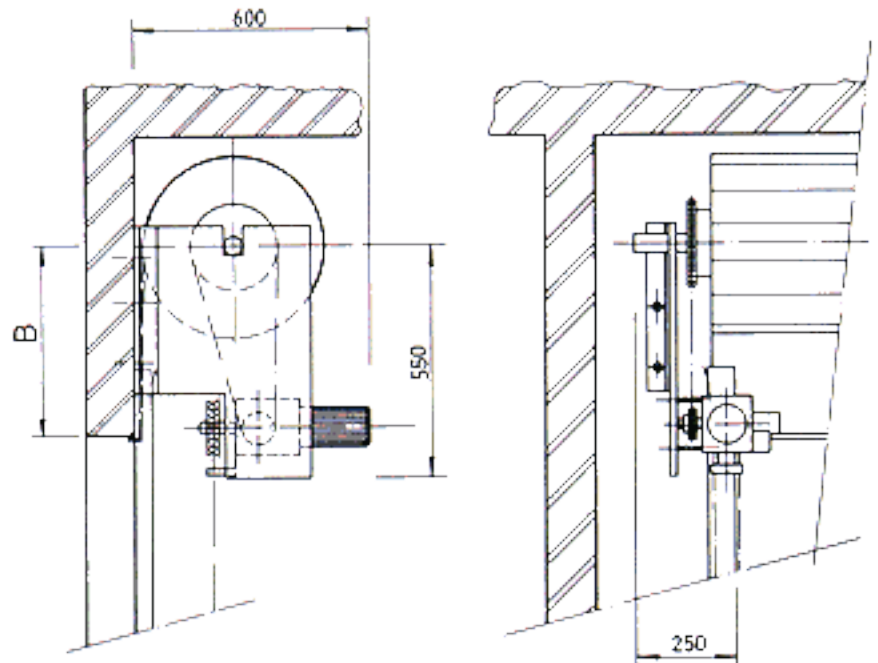


ALTERNATIVE PLAIN END SIDE WALL
FIXING

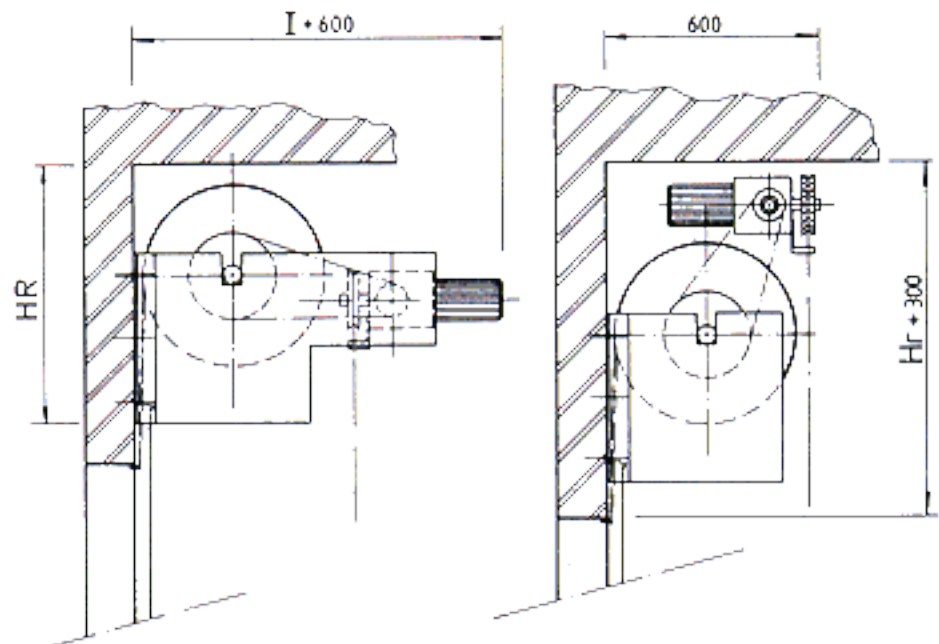


STUD AXLE SIDE
WALL MOUNT
BRACKET

OPTIONAL
MOTOR ON INSIDE OF DRUM SUPPORT
BRACKET



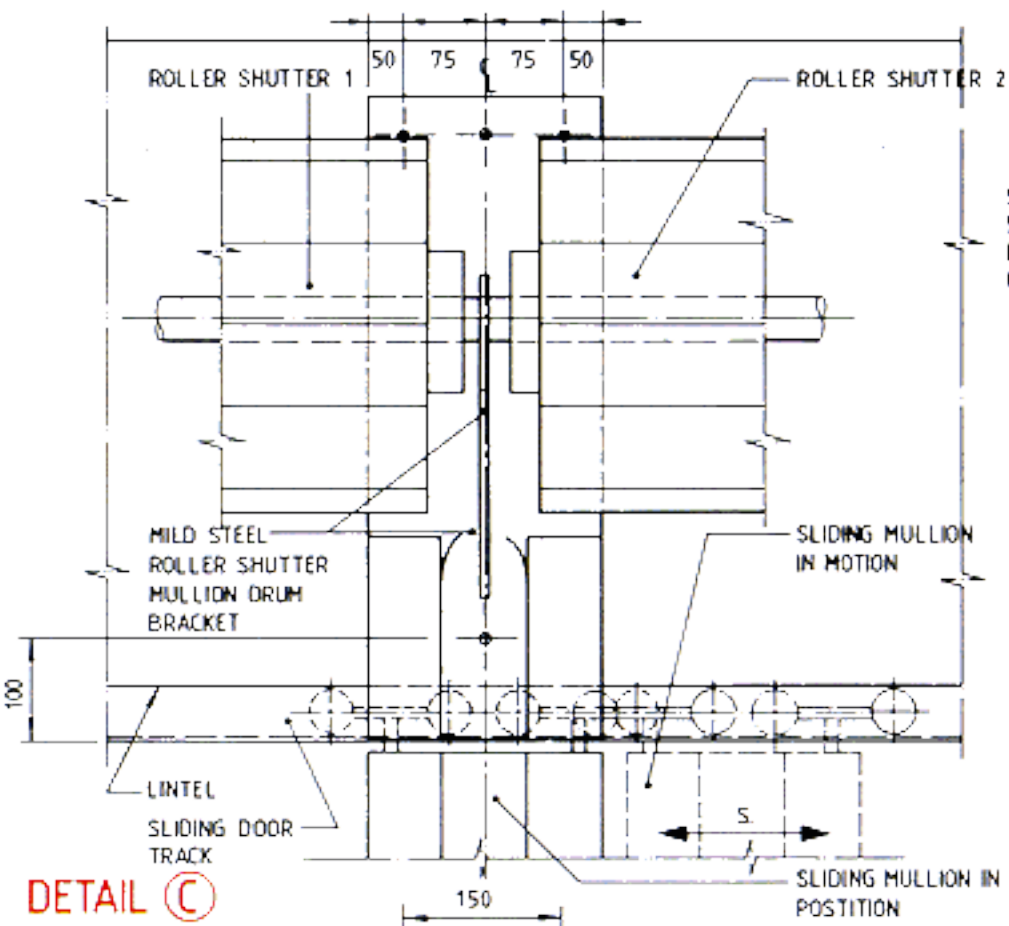
MOTOR BEHIND THE
DRUM OPTIONAL
MOTOR ABOVE THE
DRUM



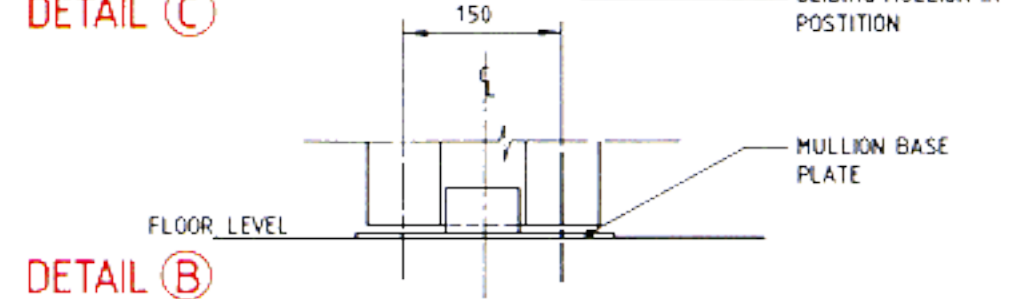
NOTES:

- 1- AIRPORT DOORS RESERVES THE RIGHT TO MAKE WITHOUT NOTIFICATION SUCH ALTERATIONS IN DESIGN AND MANUFACTURE AS DEEMED NECESSARY IN LINE WITH OUR POLICY OF CONTINUAL PRODUCT IMPROVEMENT.
- 2- AIRPORT DOORS ALSO MAKES THE CLIENT AWARE THAT PROVISION OF FIXING SURFACES HAVING ADEQUATE STRENGTH TO SUPPORT ROLLER SHUTTER DOOR IS NOT THE RESPONSIBILITY OF THE ROLLER SHUTTER DOOR INSTALLER OR THE COMPANY.

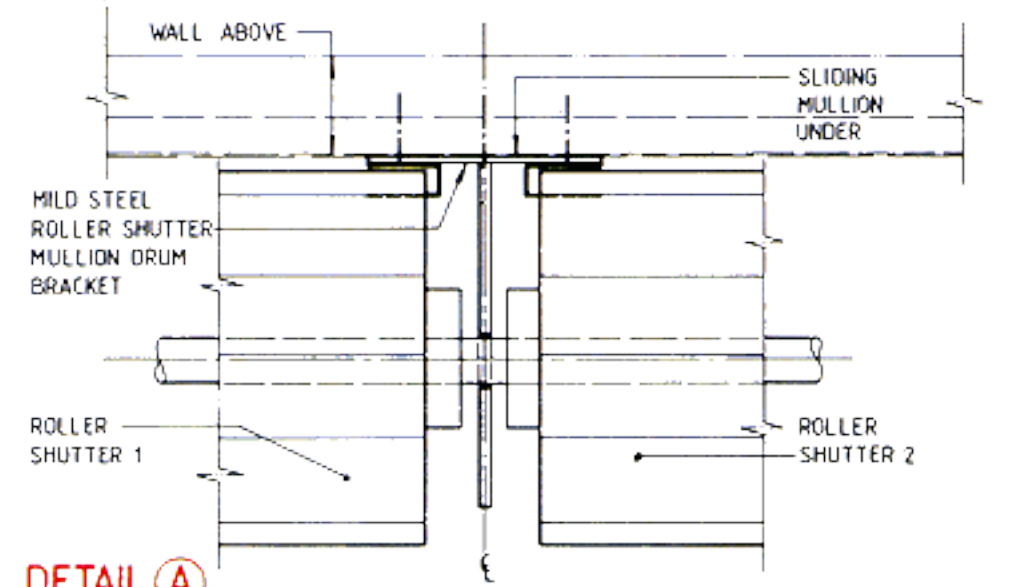
Handwritten signature



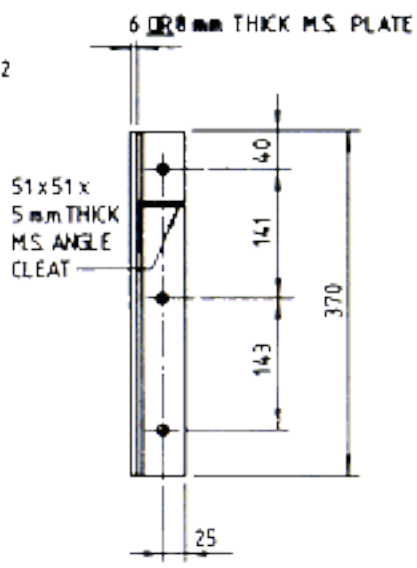
DETAIL C



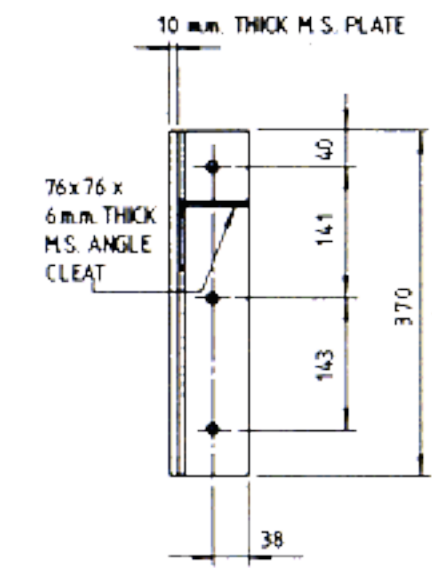
DETAIL B



DETAIL A

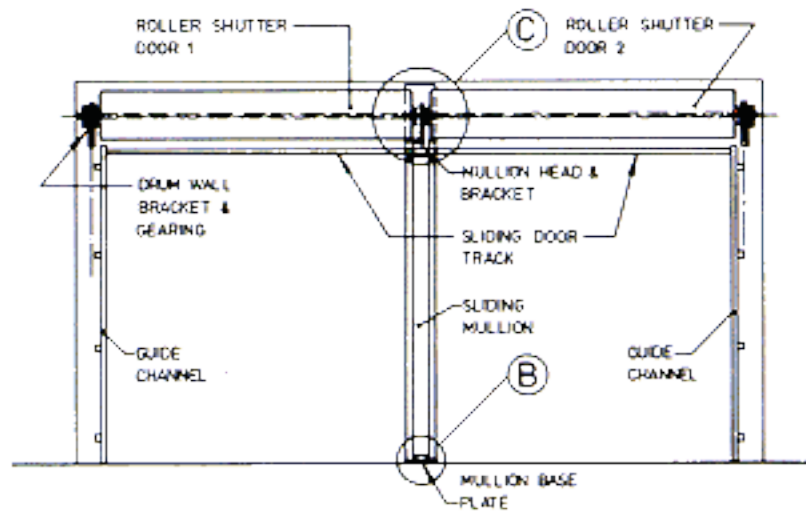


DRUM WALL BRACKET - TYPE 1
51 x 51 x 5 mm. THICK M.S. ANGLE

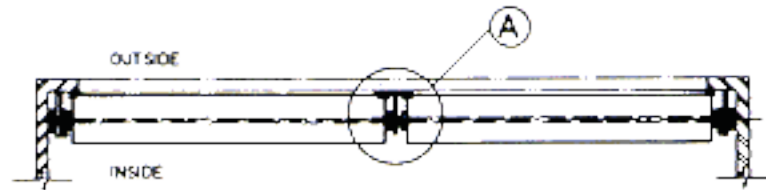


DRUM WALL BRACKET - TYPE 2
76 x 76 x 6 mm THICK M.S. ANGLE

NOTE: STANDARD ROLLER SHUTTER MULLION DETAILS SHOWN.

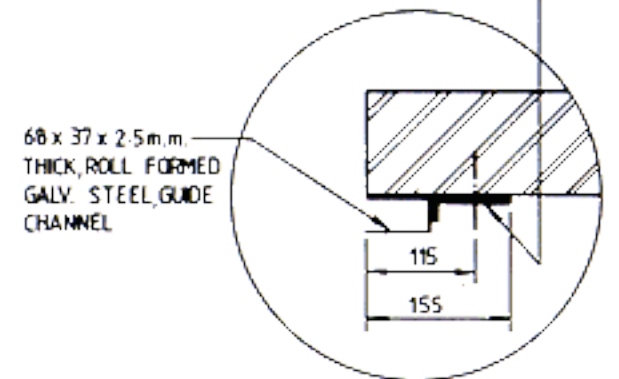


ELEVATION (INSIDE)

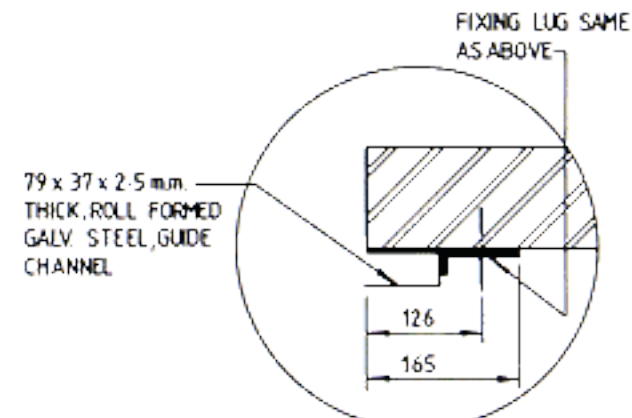


PLAN (2 DOOR OPENING)

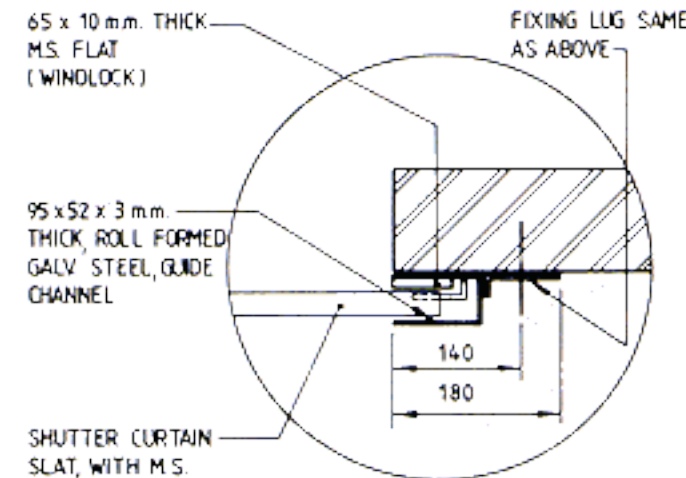
GENERAL NOTE:
CHECK WINDLOADING TABLES
BEFORE SELECTING GUIDE CHANNELS.



GUIDE CHANNEL - TYPE '66'
(UP TO 4 METRES WIDE)



GUIDE CHANNEL - TYPE '77'
(OVER 4 METRES WIDE)



GUIDE CHANNEL - WINDLOCK TYPE
SPECIAL APPLICATION
(GENERALLY 6 TO 10 METRES WIDE)
AS SPECIFIED

NOTE:

WHERE CENTRE MULLION IS USED LINTEL SHOULD BE OF SIZE TO CARRY WEIGHT OF DOORS WITHOUT TWIST OR DEFLECTION. (WIDTHS OF MULLIONS VARY DEPENDING ON DOOR SIZES, WEIGHT & GEARING).