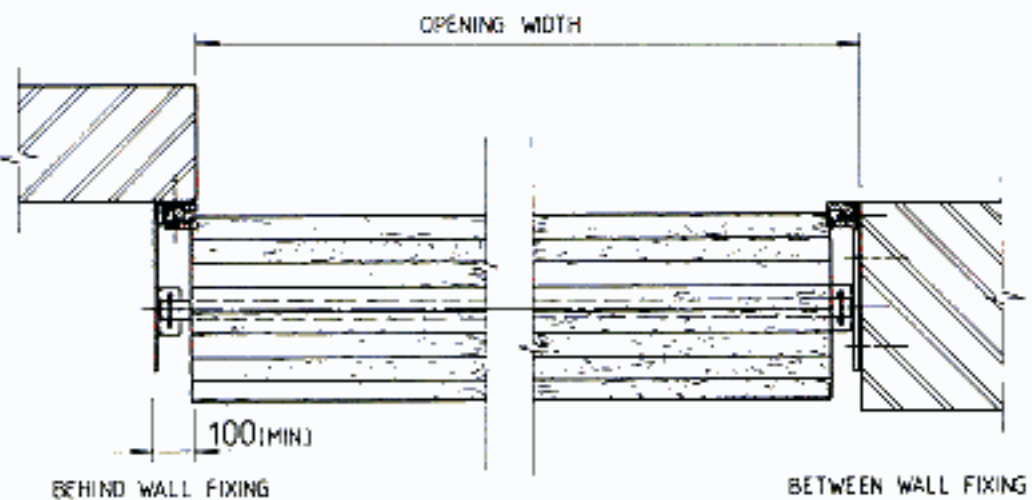


ELEVATIONS (VIEWED INSIDE LOOKING OUT)

SECTIONS



RECOMMENDED HEADROOM CLEARANCES:

HEIGHT : UP TO (M)	MARK (mm)		
	Hr	B	I
1.4	510	240	280
2.3	560	250	320
2.8	650	300	360

NOTE:

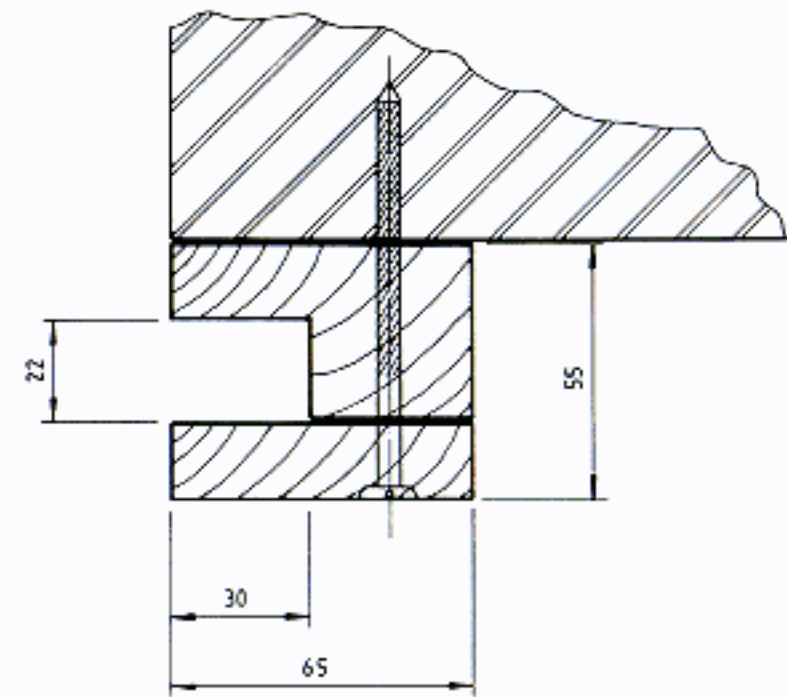
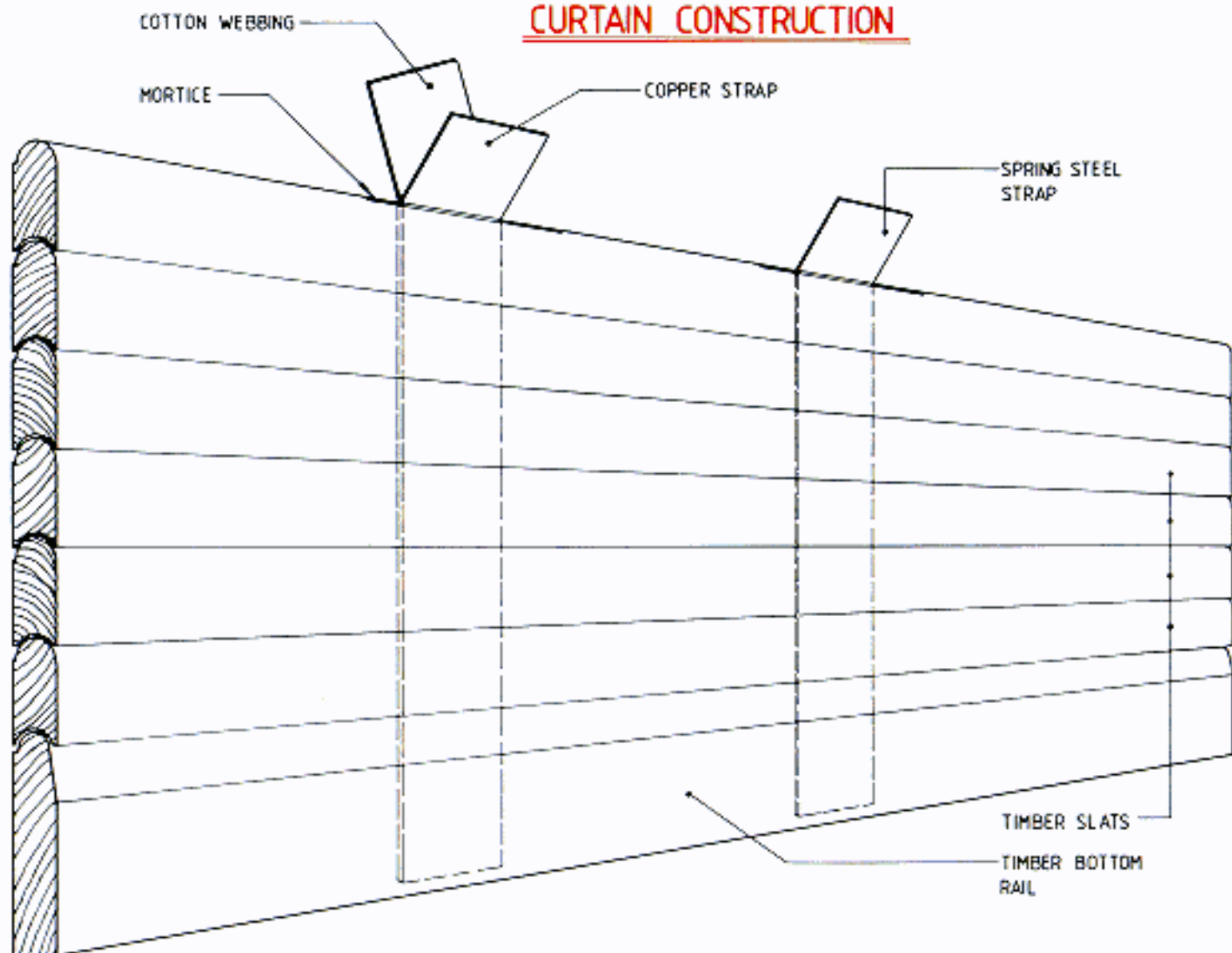
1. WHERE ROLLER SHUTTER DOORS ARE TO BE INSTALLED ALL DOORWAY OPENINGS SHOULD BE KEPT CLEAR OF ANY OBSTRUCTION (EG. BEAMS, PIPES, ETC.)
2. WHERE DOORS ARE TO BE FITTED IN A CAVITY BULKHEAD SITUATION DUE ALLOWANCES SHOULD BE MADE TO DIMENSION 1 – 600mm CLEAR FOR FIXING AND LIFTING PURPOSES.



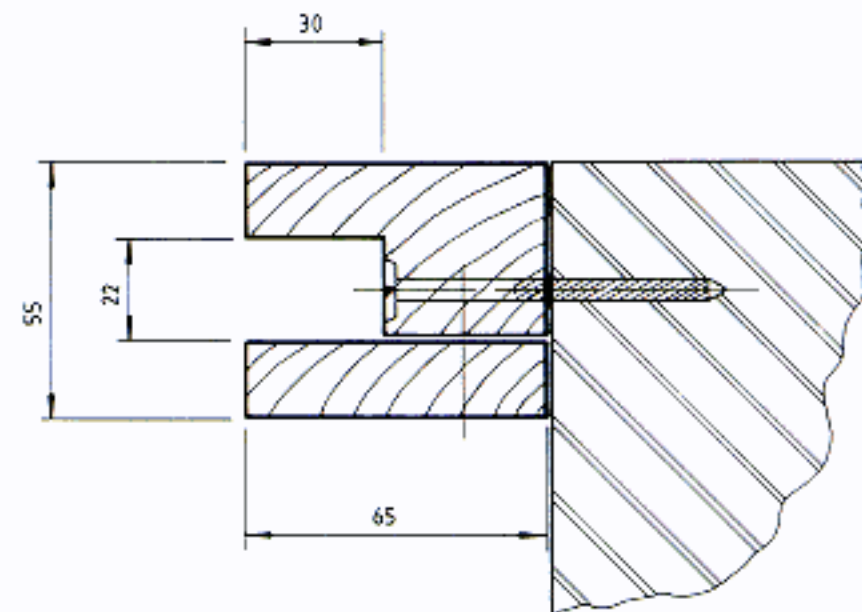
3. TIMBER ROLLER SHUTTERS IN ACCESS OF 3.0 METRES IN WIDTH, SHALL BE DESIGNED IN ACCORDANCE WITH THE MANUFACTURER.
4. WEIGHT APPROXIMATELY =24kg/M²

PLANS

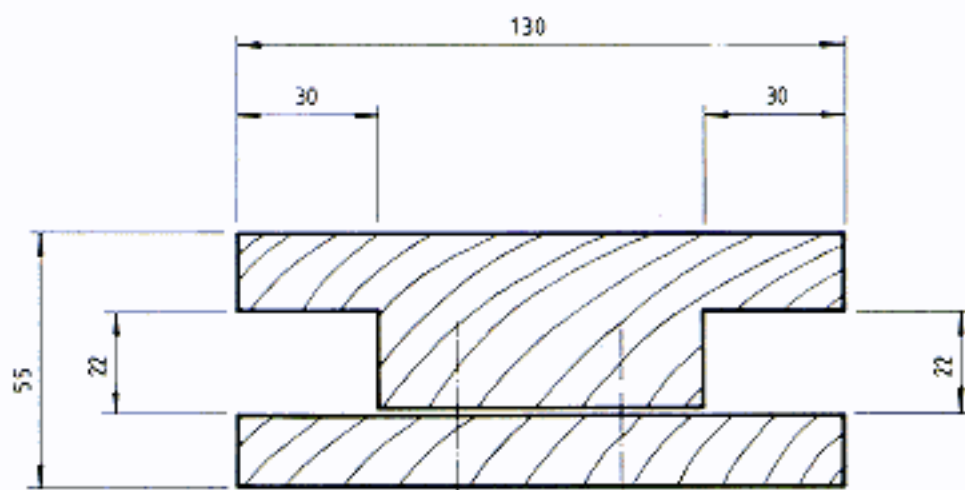
CURTAIN CONSTRUCTION



TIMBER GUIDE CHANNEL
(BEHIND WALL FIXING)



TIMBER GUIDE CHANNEL
(BETWEEN WALL FIXING)



TIMBER CENTRE MULLION