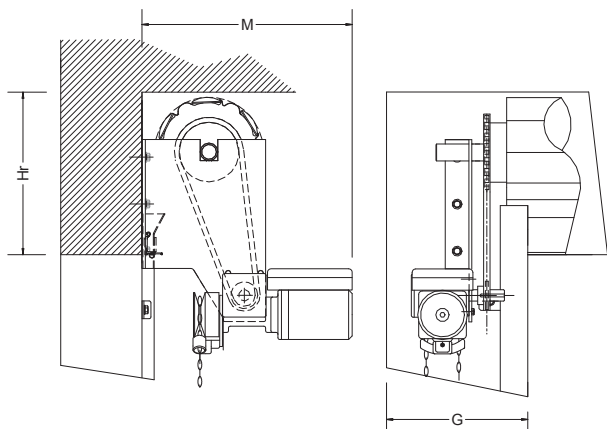


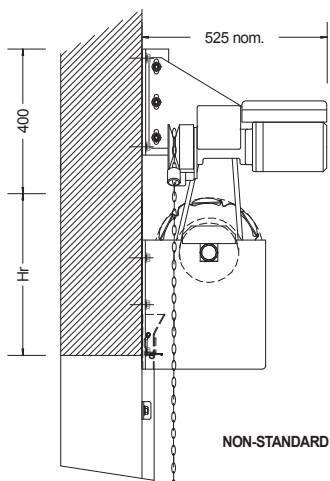
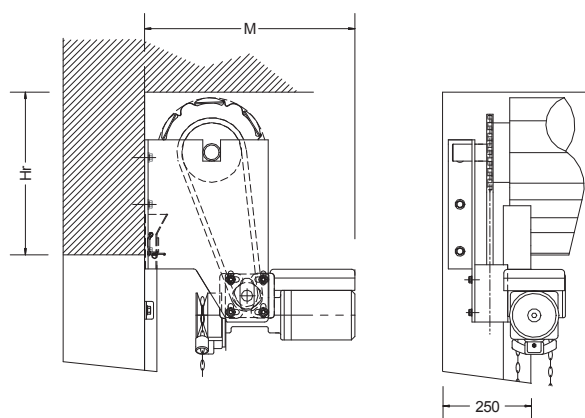
Technical Datasheet RS3 Motorisation Options

Steel Roller Shutters, Panorama, Supa Slat, Steel Roller Grille

STANDARD MOTOR INSTALLATION

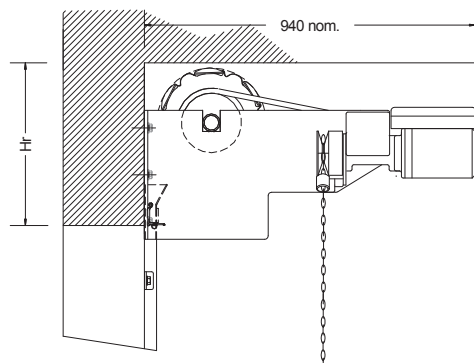


INBOARD MOTOR INSTALLATION

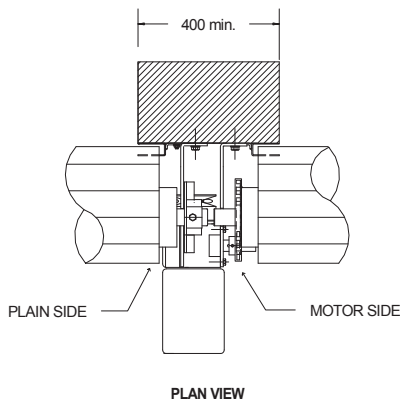


NON-STANDARD INSTALLATION : MOTOR FITTED ABOVE

NON-STANDARD INSTALLATION : MOTOR FITTED IN LINE



CENTRAL COLUMN INSTALLATION



NOTES:

SHOWN ARE ALTERNATIVE, NON-STANDARD MOUNTING OPTIONS FOR MOTORISED ROLLING PRODUCTS. DIMENSIONS SHOWN ARE INDICATIVE ONLY AND MAY VARY WITH DOOR SIZING & MOTOR MAKE AND / OR CAPACITY. REFER TO PRODUCT INSTALLATION SPECIFICATION SHEETS FOR OTHER DETAILS.

Airport Doors RESERVES THE RIGHT TO MAKE WITHOUT NOTIFICATION SUCH ALTERATIONS IN DESIGN AND MANUFACTURE AS DEEMED NECESSARY IN LINE WITH OUR POLICY OF CONTINUAL PRODUCT IMPROVEMENT.

Airport Doors ADVISES THE CLIENT THAT PROVISION OF ADEQUATE FIXING SURFACES, OF ADEQUATE STRUCTURAL STRENGTH TO SUPPORT THE ROLLER SHUTTER (IN ACCORDANCE WITH BCA 2011) IS NOT THE RESPONSIBILITY OF THE DOOR INSTALLER OR THE COMPANY.